

TECHNICAL NOTES

Technical Notes for Tuning, Installing, Maintaining and Servicing MT-3 and MT-4 Radio Systems

Codan Radio Communications
43 Erie Street
Victoria, British Columbia
Canada V8V 1P8

International

Phone: 250-382-8268

Fax: 250-382-6139

Email: LMRsales@codanradio.com

Web: www.codanradio.com

Toll Free Canada and U.S.A.

Phone: 1-800-664-4066

Fax: 1-877-750-0004

Table of Contents

System Overview

- TN105 Dual Subrack Interconnection
- TN110 Channel and Frequency Selection
- TN160 Base Station or Link Configuration Settings
- TN170 USB Driver Installation for MT-4E RSS
- TN175 MT-4E Firmware Upgrading

Receiver Modules

- TN247 VR-4E VHF MT-4E Receiver
- TN267 UR-4E UHF MT-4E Receiver
- TN287 UR-4E UHF 700 / 800 / 900 MHz MT-4E Receiver

Transmitter Modules

- TN347 VT-4E VHF MT-4E Transmitter
- TN367 UT-4E UHF MT-4E Transmitter
- TN387 UT-4E UHF 700 / 800 / 900 MHz MT-4E Transmitter

Power Amplifiers

- TN441 AMP-4 VHF and UHF 30 Watt Power Amplifiers
- TN490 19" Rack Mount High Power Amplifiers
- TN491 Modular 5-Pack Series High Power Amplifiers

Table of Contents

Subracks

- TN500 SR-39-1 Subrack**
- TN520 SR-39-3 Multiple Receiver Subrack**
- TN530 SR-39-4 Multiple Transmitter Subrack**

Control Cards

- TN600 AC-3E Audio Control Card**
- TN640 CI-PM-3 Paging Modulator**
- TN650 CI-RC-4L Repeater Control Card**
- TN652 CI-RC-4M-G2 Multiple Link Controller**
- TN655 CI-BC-4E Base Control Card**
- TN660 UIC-4 Universal Interface Card**

Transportable Systems

- TN710 ET-3 Transportable Radio System Case**
- TN720 ET-4 Transportable Radio System Case**
- TN730 ET-5 Transportable Tactical Radio System**
- TN735 Vizor™ (ET-6) Transportable Tactical Radio System**
- TN750 ET-1 Transportable Radio System Case**
- TN790 Transportable Radio System Accessories**

Table of Contents

Other

- TN800 A-PNL-AUX96-3 Auxiliary Connector**
- TN811 SM-3 System Regulator**
- TN830 AC to DC and DC to DC Power Supplies**
- TN835 High Current AC to DC Power Supplies**
- TN836 High Current Digital Series AC to DC Power Supplies**
- TN840 Extender Cards and Kits**
- TN855 CI-DSP-223 Telex (Vega) DSP Tone-Remote Adapter**
- TN856 CI-IP-223 Telex (Vega) IP Network Remote Adapter**
- TN870 CI-RSWITCH Redundant Switch**

TN105 Dual Subrack Interconnection

The SR-39-1 subrack is designed to hold and interconnect the MT-3 and MT-4 series of receiver, transmitter and control modules on one universal motherboard. This motherboard distributes audio, control and power signals between the separate modules plugged into the subrack. The two main power signals used by the MT-3 and MT-4 modules are the +13.8 Vdc (power input) and +9.5 Vdc (regulated) power.

The +13.8 Vdc power input (+13.8 Vdc nominal, +10 to +17 Vdc range) is connected to the motherboard by a terminal strip mounted on the back of the subrack. The +13.8 Vdc signal line is routed through the System Regulator (SM-3) module and then distributed across the motherboard to the other modules. This allows the user to un-plug the SM-3 module and turn off all power supplied to the other modules. This feature is not used very often as all Codan modules are capable of being hot swapped.

The +9.5 Vdc regulated power is generated in the System Regulator module by the internal +9.5 Vdc voltage regulator built into the SM-3. This +9.5 Vdc regulated voltage is then distributed across the motherboard to the other modules. The voltage regulator is designed to source enough current to operate all modules in the subrack.

If a Codan radio system is designed so that a second subrack is required, the configuration is dependent on the modules in the second subrack:

a) If the second subrack requires receiver, transmitter or control cards, a system regulator is required in the second subrack to source enough current for the +9.5 Vdc regulated voltage to these modules.

b) If the second subrack contains only Codan 30 Watt power amplifier modules (see Figure 1), the +9.5 Vdc regulated voltage current draw for these modules is very low, and the SM-3 in the first subrack can source enough current for the power amplifiers in the second subrack. In this case, a second SM-3 module is not required, and the +9.5 Vdc regulated voltage is jumpered from the first subrack with the SM-3 to the second subrack with no SM-3 module.

The +9.5 Vdc regulated voltage is jumpered from one subrack to the other, using the +9.5 Vdc input / output connector on the motherboard. This connector is the same type as the +13.8 Vdc power input connector, but is used to connect +9.5 Vdc between a subrack with an SM-3 and a subrack with no SM-3.

The +13.8 Vdc power input is also connected to both subracks, but the second subrack has no SM-3 module installed (the +13.8 Vdc is typically routed through the SM-3). Jumper JU1 is required to be installed in the second subrack to allow +13.8 Vdc power input to be connected directly to the 30 Watt power amplifiers. Jumper JU1 is typically a 16 AWG wire soldered across the jumper points (see Figure 2 for jumper wires and JU1 placement). On older motherboards (Serial # 123125 and earlier) the jumper is in the same location, but is labelled as JU40.

If a radio system is ordered from the factory with this configuration, the jumper wires are included in the shipment and jumper JU1 is installed at the factory.

TN105 Dual Subrack Interconnection

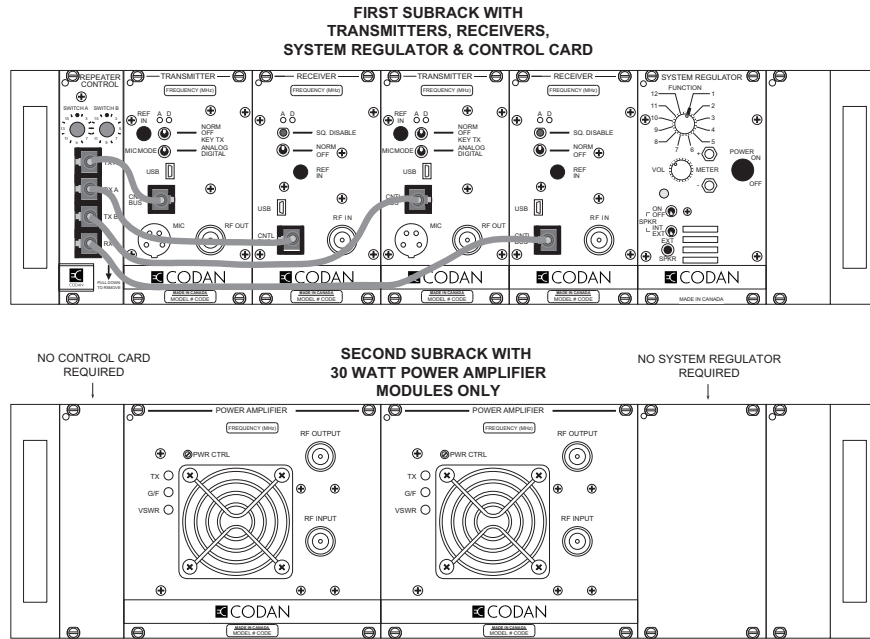


Figure 1 - Front View of Dual Subracks; Second Subrack has only Power Amplifiers

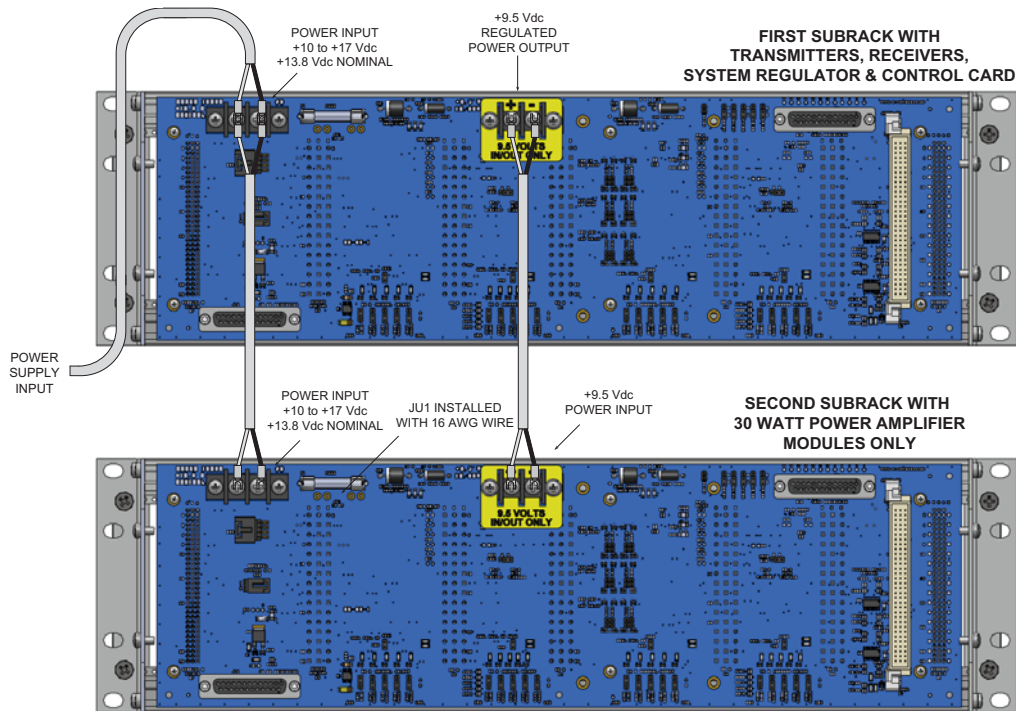


Figure 2 - Rear View of Dual Subracks; Jumper wires between first and second subrack

43 Erie Street
Victoria, B.C.
Canada V8V 1P8

Toll Free Canada & U.S.A.
Phone: 1-800-664-4066
Fax: 1-877-750-0004

International
Phone: 250-382-8268
Fax: 250-382-6139

Internet
Email: LMRsales@codanradio.com
Web: www.codanradio.com

TN110 Channel and Frequency Selection

MT-3 and MT-4 Channel and Bank Selection

MT-3 crystal controlled radio modules operating frequency is selected by the control module's fundamental crystal frequency. The channel select lines and internal BCD rotary switches are not used by the crystal control module.

MT-3 synthesized radio modules are capable of 16 channel operation.

MT-4E radio modules are capable of 16 channel operation in 2 banks (32 channels total).

The 16 channels are controlled via four CSEL signal lines connected to each receiver and transmitter module. The CSEL signal lines are set as either a 0 (0 Vdc) or a 1 (+9.5 Vdc). Table 1 shows the channel selected for the CSEL input settings.

Table 1: Channel Selection Settings

Channel	Decimal	CSEL3	CSEL2	CSEL1	CSEL0
1	0	0	0	0	0
2	1	0	0	0	1
3	2	0	0	1	0
4	3	0	0	1	1
5	4	0	1	0	0
6	5	0	1	0	1
7	6	0	1	1	0
8	7	0	1	1	1
9	8	1	0	0	0
10	9	1	0	0	1
11	10	1	0	1	0
12	11	1	0	1	1
13	12	1	1	0	0
14	13	1	1	0	1
15	14	1	1	1	0
16	15	1	1	1	1

The Receiver and Transmitter Bank A/B select lines are set as either a B (0 Vdc) or an A (+9.5 Vdc). The logic for the Bank A/B select lines is different from the CSEL signal lines. If the Bank A/B select line is pulled high (+9.5 Vdc), or left floating, Bank A is selected. If the Bank A/B select line is pulled low (0 Vdc), Bank B is selected.

On older motherboards (Serial # 123125 and earlier), the Receiver Bank A/B select line uses the same line as the MT-3 Receiver ISO COR K and the Transmitter Bank A/B select line uses the same line as the MT-3 Transmitter Standby. No jumpers are available for the Bank select.

TN110 Channel and Frequency Selection

There are 3 different ways to change the channel and bank of a transmitter / receiver module:

- 1 The user can set jumpers mounted on the motherboard for each Channel Select signal line (set of four for each Tx / Rx module) and Bank A/B select line. These jumpers can be used to permanently set a subrack slot at a specific channel and bank.
 - Jumpers can be set for 0 (0 Vdc) “down” or 1 (+9.5 Vdc) “up”.
 - Pull-up resistor jumpers to +9.5 Vdc must be installed.
- 2 CSEL signal lines and Bank A/B select lines can be controlled externally by a tone remote adapter, a CI-RC-4M-G2 multiple link controller, or other third party devices.
- 3 Sixteen-position rotary select switches mounted on the CI-BC-4E base controller can control the CSEL lines and toggle switches can control the Bank A/B select line. Optionally the CI-RC-4L repeater controller or AC-3E control card can have a rotary switch added for control of the CSEL signal lines.

The Pull-up resistor jumpers to +9.5 Vdc must be removed and all channel select and bank select jumpers must be installed in the 1 or “up” position for both external control and rotary switch control of channel selection.

MT-3 Low Current / Enhanced Synthesizer Modules Frequency Selection

The MT-3 synthesizer modules operating frequency may be selected in standard channel increments through either four internal BCD rotary switches, or by the synthesizers’ internal memory that can be programmed for 15 preset frequencies.

In order to set the desired frequency for each channel, a four digit code is used to represent each available frequency. The four digit code is used internally in the synthesizer to generate the desired RF frequency. This four digit code is found in the Channel Designation Tables that accompany the receiver or transmitter Instruction Manual. The Channel Designation Tables cross reference each frequency with a code number.

(1) If Channel 1 is selected the synthesizer will scan four BCD switches mounted on the main circuitboard of the receiver or transmitter module for the code number.

(2) If Channel 2 through 16 is selected, then the frequency is established by the preprogrammed entry in the synthesizer’s internal memory. The internal memory is normally programmed at the factory, but can be field programmed using the CP-SC-3 synthesizer channel programmer module.

TN110 Channel and Frequency Selection

MT-3 Crystal Control Modules Frequency Selection

The MT-3 crystal controlled modules operating frequency is selected by the control module's fundamental crystal frequency. The channel select lines and internal BCD rotary switches are not used by the crystal control module.

Crystal modules use a fundamental crystal in an oscillator circuit to determine the operating frequency of the oscillator. The output frequency of a VHF crystal module is three times the frequency of the fundamental crystal oscillator circuit. Output frequency of a UHF crystal module is nine times that of the fundamental crystal oscillator circuit.

To maintain ± 1 ppm frequency tolerance the crystal oscillator circuitboard has an on-board digital board which provides temperature compensation information for each individual crystal element. To change the transmitter or receiver operating frequency, a new crystal oscillator board must be purchased.

MT-4 Modules Frequency Selection

The MT-4 modules operating frequency is selected in standard channel increments through the Radio Service Software (RSS). Frequencies can be directly entered or selected through the use of a spin button that cycles through valid frequencies.

TN110 Channel and Frequency Selection

This Page Intentionally Left Blank

TN160 Base Station or Link Configuration Settings

When configuring a Codan radio system for base station operation or for a linked configuration, certain settings, such as jumpers, may need to be installed to allow the base station or link to operate properly.

The receiver and transmitter modules are used with specific control cards to facilitate the external connections of a base station, or to allow the complex connectivity of a linked system. The MT-3 modules are connected to an AC-3E Audio Control Card and the MT-4 modules are connected to a CI-BC-4E Base Controller for base station operation, or a CI-RC-4L Repeater Controller or CI-RC-4M-G2 Multiple Link Controller for a linked system. The A-PNL-AUX96-3 auxiliary connector is recommended for facilitating all external connections in a base configuration.

Antenna Relay Activation

The System Regulator module may have up to two optional antenna relays installed that can be used for a base station or simplex / half-duplex link configuration. The antenna relays are labeled as Relay A and Relay B (if only one relay is installed, it is Relay A). The motherboard on the subrack contains a set of jumpers that are used to activate the optional antenna relays in the System Regulator module. The relays are typically set with the PTT IN and PTT OUT signal lines activating the relays.

Jumpers function as follows:

JU36	Tx A PTT OUT activates Relay A	JU37	Tx A PTT IN activates Relay A
JU39	Tx A PTT OUT activates Relay B	JU40	Tx A PTT IN activates Relay B
JU42	Tx B PTT OUT activates Relay A	JU43	Tx B PTT IN activates Relay A
JU45	Tx B PTT OUT activates Relay B	JU46	Tx B PTT IN activates Relay B

On older motherboards (Serial # 123125 and earlier) the jumpers were as follows:

JU16	Tx A PTT OUT activates Relay A	JU12	Tx A PTT IN activates Relay A
JU14	Tx A PTT OUT activates Relay B	JU10	Tx A PTT IN activates Relay B
JU15	Tx B PTT OUT activates Relay A	JU11	Tx B PTT IN activates Relay A
JU13	Tx B PTT OUT activates Relay B	JU9	Tx B PTT IN activates Relay B

Simplex Operation

The motherboard on the subrack contains a set of jumpers that are enabled when the radio system is operated in simplex mode (simplex base station or simplex links). The jumper connects the Transmitter PTT OUT signal line to the RX MUTE. This jumper will cause the receiver to mute when the transmitter is keyed.

JU38	Tx A PTT OUT mutes Rx A	JU41	Tx A PTT OUT mutes Rx B
JU44	Tx B PTT OUT mutes Rx A	JU47	Tx B PTT OUT mutes Rx B

The new System Regulators also have the same simplex mode jumpers for backwards compatibility with older motherboards that did not have these jumpers. The jumpers were located on the old System Monitor as follows:

JU12	Tx A PTT OUT mutes Rx A	JU13	Tx B PTT OUT mutes Rx B
------	-------------------------	------	-------------------------

TN160 Base Station or Link Configuration Settings

CI-RC-4M-G2 Simplex Operation

The CI-RC-4M-G2 Multiple Link Controller can also be set for simplex link operation in the software under the System Settings tab, but requires the MUTE line to be connected from the subrack to the controller.

Simplex Operation Improvement

On some simplex base or link systems, the Rx MUTE line may be released too quickly after the Tx PTT is deactivated. The RF signal has not had enough time to decay before the receiver is un-muted and this can produce an audible noise burst or blip at the end of each transmission.

MT-3 Systems require that two resistors within the receivers be replaced with 47K ohm resistors (1150-4B1002FP). R95 and R96 require replacement in FM receivers. AM receivers require that R35 and R83 are replaced.

MT-4E Systems have a software selectable Simplex Unmute Delay jumper setting that can be enabled in the RSS software Service section.

MT-4D Systems require that JU33 is installed in the Y position in the receivers.

MT-4R Systems require a 4.7 uF capacitor (1055-5B475K16) to be added to the PTT OUT signal line. This modification was part of ECO 758. Any transmitters that were sold before, and have not been returned to the factory since March 2003, will require this modification for simplex operation.

MT-4R or MT-4D Base Station with Telex (Vega) DSP-223 Control

If an MT-4R or MT-4D base station is operated by a console other than a Telex product, through a Telex DSP-223 tone remote adapter, there is a possibility the transmitter may not change channels properly (only changing channels every second time the PTT is activated at the console).

If the MT-4R or MT-4D system is being controlled by a CI-BC-4E Base Controller, JU125 is required to be installed in the controller.

If the MT-4R or MT-4D system is being controlled by an AC-3E Audio Control Card (not recommended), a 22 uF capacitor (1054-6G226M20) is required to be added by soldering the positive lead to J23 and the negative lead to ground.

TN170 USB Driver Installation

Codan software will run on a PC with Windows 98, 2000, XP, Vista and 7 (32 or 64 bit) operating systems. Do not connect the computer to an MT-4E Receiver, MT-4E Transmitter, Multiple Link Controller, or Universal Interface Card (UIC) until the software has been installed (Windows may install an incorrect driver).

Codan MT-4E RSS and Firmware Flashing Software requires a USB driver to communicate with both the MT-4E Receiver and MT-4E Transmitter. The UIC Configuration Software and Multiple Link Controller Software also require USB drivers to communicate with the controllers.

Installing the USB Drivers

In order to install the USB drivers you must have administrator privileges. The Codan USB drivers installer will be launched after the RSS software is installed. Follow the instructions in the USB Installer and ensure the Preinstallation was successful as shown in Figure 1.

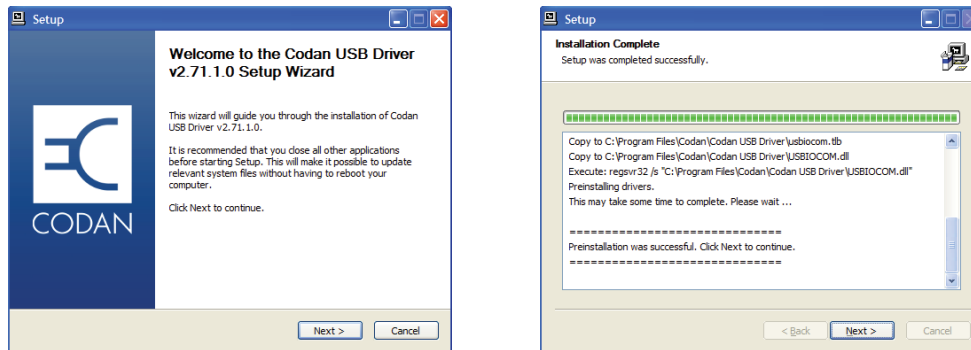


Figure 1: USB Driver Installer

Enumerating the USB Drivers

Enumerating the USB drivers can be done immediately or at a later date and requires administrator privileges for Windows 98, 2000 or XP, but not for Vista or 7. In order to enumerate the USB drivers, the MT-4E Receiver, MT-4E Transmitter, Multiple Link Controller or UIC must be connected using the USB cable. Windows Vista or 7 will show the Windows Security window as shown in Figure 2. Windows 98, 2000 or XP will have the "Found New Hardware Wizard" pop up.



Figure 2: Windows Security

TN170 USB Driver Installation

On the “Found New Hardware Wizard” click “No, not this time”, and then click “Next” to continue. Select “Install the software automatically (Recommended)” and then click “Next” to complete the driver installation. This procedure will need to be repeated for the other modules (MT-4E Receiver, MT-4E Transmitter or UIC) when it is connected for the first time. Once the USB driver installation is run for a module (Receiver, Transmitter or UIC), it will not be required again for another of the same module type.

The USB driver installer could return with the message “The wizard could not find a better match for your hardware than the software you currently have installed”. If this message appears, but the USB driver is still not working correctly, restart the computer and disconnect, then reconnect the USB cable.

If the automatic installation fails, the USB drivers will need to be installed manually (see Manual USB Driver Installation Procedure below).

Manual USB Driver Installation Procedure

1. Ensure that the software is installed on the computer.
2. Use a type A to 5 pin mini-type B USB cable to connect the USB port of an IBM compatible computer to the USB port on the front panel of the MT-4E Receiver, MT-4E Transmitter, Multiple Link Controller, or UIC module as shown in Figure 3. Ensure that the front panel switch is in the NORM position on the MT-4E Receiver or MT-4E Transmitter.

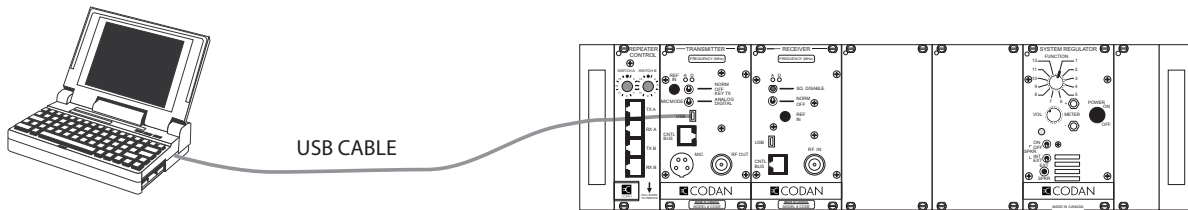


Figure 3: USB Programming Cable Connection

3. Windows will detect a new device, “Found New Hardware” will pop up in the system tray and the “Found New Hardware Wizard” will start.
4. If Windows fails to detect a new device, go to: Control Panel->(Performance and Maintenance)System->Hardware->Device Manager, as shown in Figure 4, and right click the unknown USB device, then choose “Update Driver...”.

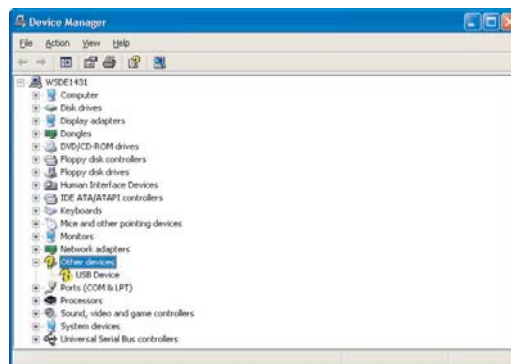


Figure 4: Device Manager

43 Erie Street
Victoria, B.C.
Canada V8V 1P8

Toll Free Canada & U.S.A.
Phone: 1-800-664-4066
Fax: 1-877-750-0004

International
Phone: 250-382-8268
Fax: 250-382-6139

Internet
Email: LMRsales@codanradio.com
Web: www.codanradio.com

TN170 USB Driver Installation

5. The “Found New Hardware Wizard” may ask if windows should connect to windows update to search for software as shown. Click “No, not this time” as shown in Figure 5, and then click “Next” to continue.

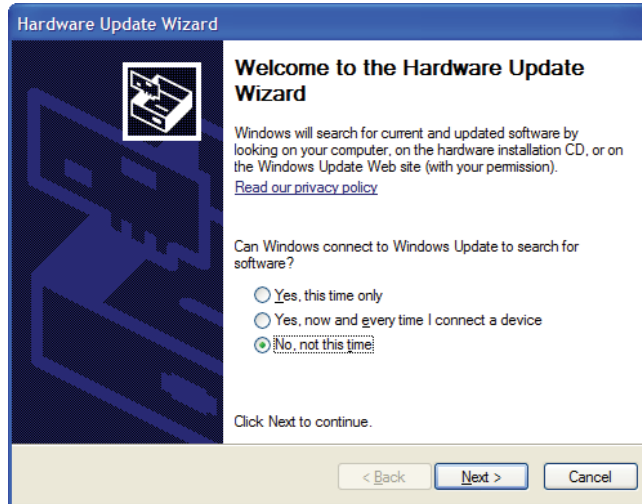


Figure 5: Found New Hardware Wizard 1

6. Select the “Install from a list or specific location (Advanced)”, as shown in Figure 6, and then click “Next” to continue.

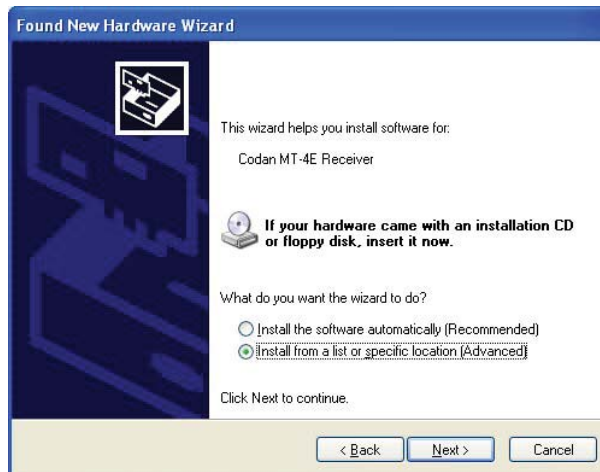


Figure 6: Found New Hardware Wizard 2

TN170 USB Driver Installation

7. Leave the “Search for the best driver in these locations” option selected.

8. If the software installation CD is in your CD Drive, select “Search removable media (floppy, CD-ROM...)”. If the software installation CD is not available, select, “Include this location in the search”, as shown in Figure 7. Click on “Browse”, and select the directory where the MT-4E RSS (or Multiple Link or UIC) software was installed. Click on “OK” to close the folder browser window.

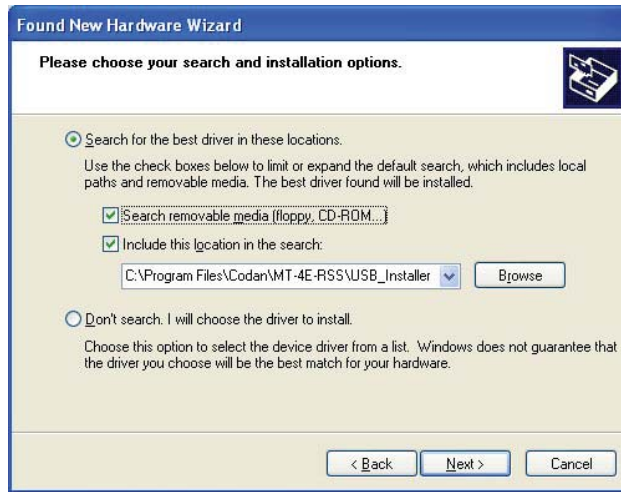


Figure 7: Found New Hardware Wizard 3

9. Click “Next” to complete the driver installation. This procedure will need to be repeated for the other modules (MT-4E Receiver, MT-4E Transmitter, Multiple Link Controller, or UIC) when it is connected for the first time.

TN175 MT-4E Firmware Upgrading

Codan Radio Communications allows customers to upgrade the firmware of their MT-4E Receivers and Transmitters via the Firmware Flashing Software and Firmware Upgrade files. The Firmware Flashing Software and Firmware upgrade files are all available at the Codan website www.codanradio.com under Support - Software & Firmware.

It is not necessary to upgrade the firmware if the equipment is installed and is operating satisfactory. A firmware upgrade is typically only needed to fix minor software bugs or to upgrade the functionality of the equipment.

Firmware versions earlier than 1.6.0 must be returned to the factory for upgrading. Firmware version 1.6.0 and 1.7.0 may need to be returned to the factory for minor hardware upgrades. Contact the Codan service department for more information.

Instructions

Please read all of these instructions before beginning the Firmware Flashing process.

Download the Firmware Flashing Software and appropriate Firmware upgrading files to a PC running a Windows XP operating system before beginning the upgrading procedure.

Choosing the Appropriate Firmware Upgrading Files

MT-4E Receivers and Transmitters can be purchased as an analog radio, or they can be purchased with the P25 Digital radio firmware package. If the radio is Analog only, download the Analog firmware upgrade, if it is P25 Digital (and Analog) capable, download the Digital firmware upgrade. To determine if the MT-4E Receiver or Transmitter is Analog only or P25 Digital, read the firmware version of the module using the Firmware Flashing Software or the Radio Service Software as shown in Figure 1. If the last digit of the firmware version is an "a" or "0", the firmware is Analog only, if the last digit is a "d" or "1", the firmware is P25 Digital and Analog.

NOTE: The Firmware Flashing Software will not allow you to program an MT-4E Receiver or Transmitter with the wrong firmware upgrade



Figure 1: Version Number Examples

TN175 MT-4E Firmware Upgrading

Download the latest firmware version (Analog or Digital) from the website for both the receiver and transmitter. If the current firmware version of the MT-4E Receiver or Transmitter is 1.6.0 or 1.7.0, an additional Bootloader and Version 2.0.0 firmware (Analog or Digital) will also need to be downloaded.

Using the Firmware Flashing Software

Start the Firmware Flashing Software application and turn on the MT-4E Receiver or Transmitter. Using a USB type A to 5 pin mini-type B cable (the same USB cable used to program the modules), connect the USB port of the PC to the USB port on the front panel of the MT-4E Receiver or Transmitter module as shown in Figure 2.

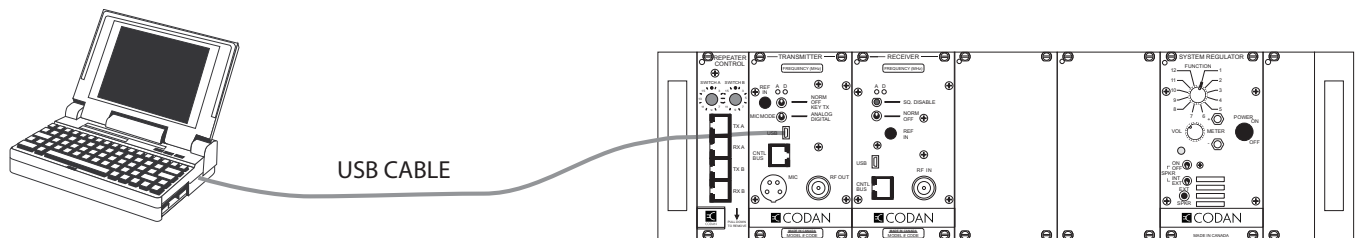


Figure 2: PC to Radio USB Connection

An information window will appear stating that the existing firmware in the radio is out of date and needs to be upgraded. Click OK to close this window.

If the current firmware version of the MT-4E Receiver or Transmitter is 1.6.0 or 1.7.0 a Bootloader dialog box will appear. See the section on upgrading Firmware version 1.6.0 and 1.7.0. If the current firmware version is 2.1.0 or higher, the Firmware Flashing Software can upgrade the firmware immediately to the next firmware version without the Bootloader.

TN175 MT-4E Firmware Upgrading

Flashing the Firmware

To apply the firmware upgrade (or Bootloader), click on File - Open and navigate to the directory where the firmware upgrades are stored on your PC. Load the appropriate update file (Transmitter / Receiver; Analog only / Digital and Analog; Bootloader / Firmware Version) as shown in Figure 3.

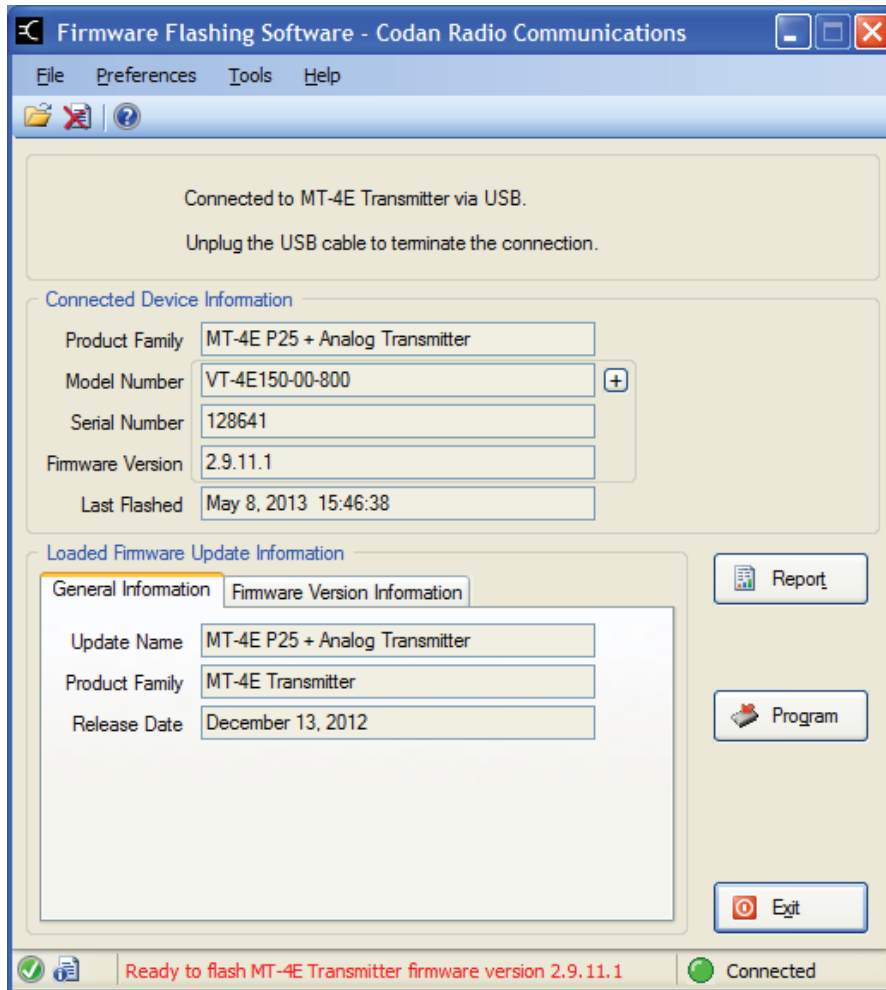


Figure 3: Firmware Flashing Software Example.

Click on the Program button to start the firmware update process. A dialog box will appear asking confirmation to proceed with the firmware update. A dialog box will also appear cautioning against interrupting the flashing process in any way while the firmware is being updated. This is very important as any interruptions could cause the firmware in the radio to be corrupted. Click on OK to proceed with the firmware update.

At the conclusion of the update the radio may need to be manually reset by cycling power to the module.

TN175 MT-4E Firmware Upgrading

Upgrading Firmware version 1.6.0 and 1.7.0

If the current firmware version of the MT-4E Receiver or Transmitter is 1.6.0 or 1.7.0, a dialog box will appear as shown in Figure 4, warning that the firmware is out of date and will require the Bootloader.

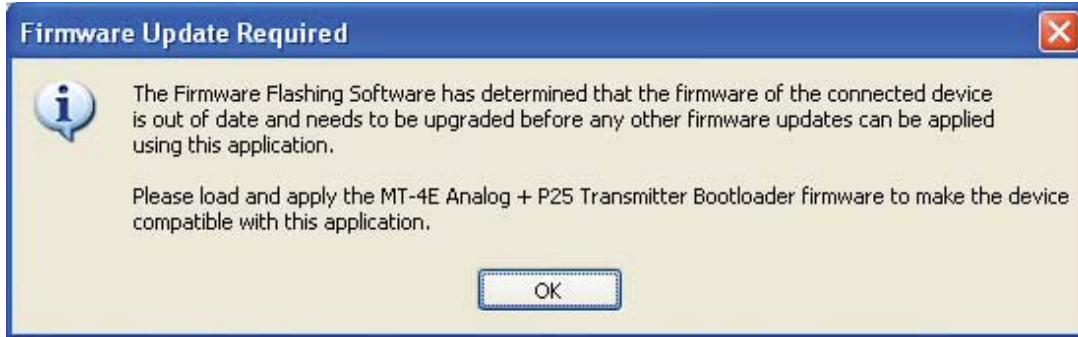


Figure 4: Version 1.6.0 and 1.7.0 Warning Dialog Box

Once the Bootloader is applied, the module's firmware will appear as version 0.0.0. Firmware Version 2.0.0 is required to be installed next and a dialog box will appear as shown in Figure 5.



Figure 5: Bootloader Warning Dialog Box

When installing Version 2.0.0, another dialog box will appear as shown in Figure 6, warning that the Bootloader must have been applied before proceeding.

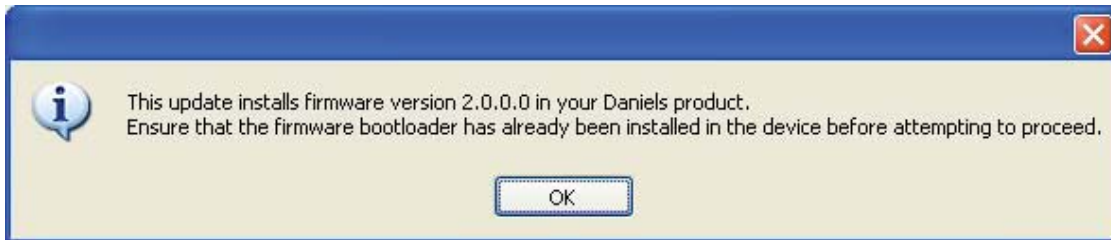
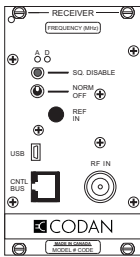


Figure 6: Version 2.0.0 Warning Dialog Box

Bringing the MT-4E Receiver or Transmitter module up to Firmware Version 2.0.0 is a two-step process, which is required in order to apply any further firmware upgrades. Once this two-step process is completed, it will not be required again. Firmware Version 2.0.0 is a "blank" firmware version and must be upgraded to the latest firmware in order for the module to operate.

TN247 VR-4E VHF MT-4E Receiver


The VR-4E VHF receiver is an FM radio module capable of analog operation in 12.5 KHz (narrowband) or 25 KHz (wideband) channels. A firmware upgrade may be purchased to allow P25 digital operation. The VR-4E VHF receiver operates over the frequency band from 136 to 174 MHz. A modular design allows each of the receiver's internal modules to be individually assembled and tested. This facilitates construction, tuning and maintenance as well as troubleshooting procedures. The receiver can be programmed with up to 2 banks of 16 channels each.

Specifications

Frequency Band	136 - 174 MHz
Channel Spacing	12.5, 15, 25 and 30 KHz
Frequency Switching Range	± 2 MHz
Reference Sensitivity (12 dB SINAD and 5% BER)	≤ -118 dBm (.280 µV)
Adjacent Channel Rejection (Class A)	≥ 45 dB; NB Analog / ≥ 75 dB; WB Analog / ≥ 60 dB; Digital
Adjacent Channel Rejection (Class B)	≥ 40 dB; NB Analog / ≥ 70 dB; WB Analog / ≥ 60 dB; Digital
Conducted Spurious Output Power (Analog)	≤ -95 dBm (Class A) / ≤ -57 dBm (Class B)
Intermodulation Rejection	≥ 75 dB Analog / ≥ 80 dB Digital (Class A) ≥ 70 dB Analog / ≥ 70 dB Digital (Class B)
Hum & Noise Ratio	≥ 34 dB Narrowband / ≥ 40 dB Wideband
L.O. Frequency Stability	± 1.0 ppm (-30°C to +60°C)
Audio Distortion (Analog and Digital)	≤ 2.0 % (25°C); ≤ 3.0 % (-30°C to +60°C)
Audio Output Level (600 Ω Balanced)	≤ +3.0 dBm
Operating Temperature	-30°C to +60°C
Supply Current (Class A)	≤ 250 mA / ≤ 280 mA with encryption module
Supply Current (Class B)	≤ 115 mA / ≤ 145 mA with encryption module

Models Available

VR-4E150-A0-000	12.5 / 25 KHz Bandwidth, 136 - 174 MHz, Class A
VR-4E150-00-000	12.5 / 25 KHz Bandwidth, 136 - 174 MHz, Class B

Receiver Operating Frequency

The receiver is initially aligned at the factory for the frequency shown on the label on the front panel. For a small frequency change, no re-alignment of the receiver may be required. If the frequency change is greater than **±2 MHz** from the frequency at which the last complete receiver alignment was performed, the **RF Preselector** will need to be realigned. To align and / or adjust the receiver, the outer cover needs to be removed; the receiver needs to be plugged into the subrack via a cable and / or extender card; and power must be applied to the system.

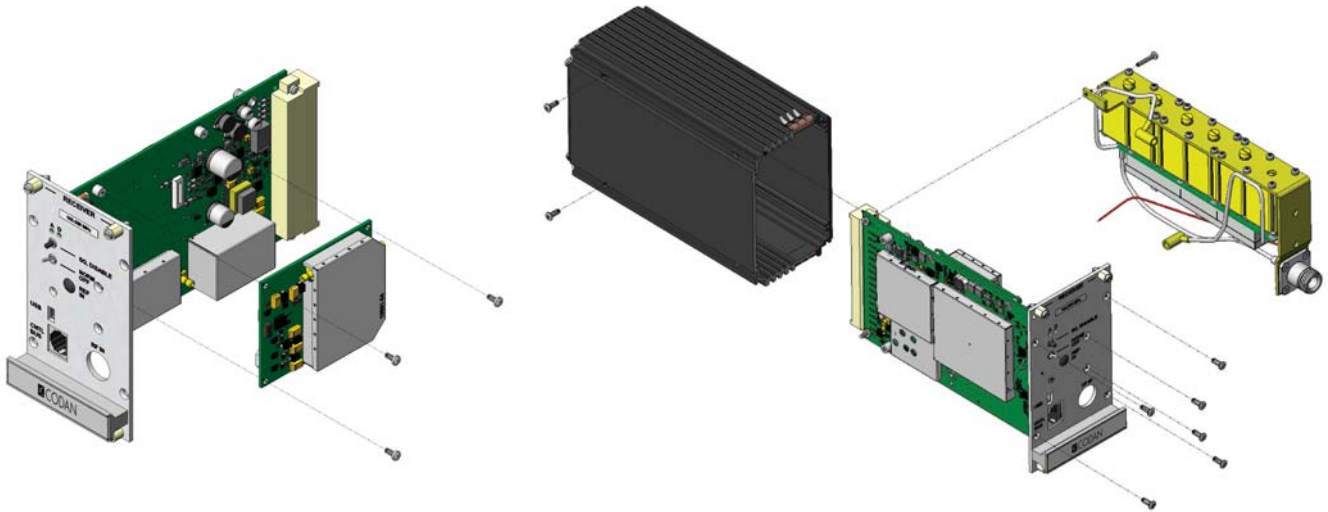
43 Erie Street
Victoria, B.C.
Canada V8V 1P8

Toll Free Canada & U.S.A.
Phone: 1-800-664-4066
Fax: 1-877-750-0004

International
Phone: 250-382-8268
Fax: 250-382-6139

Internet
Email: LMRsales@codanradio.com
Web: www.codanradio.com

TN247 VR-4E VHF MT-4E Receiver



The VR-4E VHF receiver is primarily software-controlled, allowing tuning, programming and maintenance to be done via software service with few hardware adjustments required.

RF Preselector Alignment:

Alignment for the RF Preselector consists of tuning the five-section helical filter only. There are two methods of tuning the RF Preselector. The preferred method of tuning the RF Preselector is to use a Spectrum Analyzer with a Tracking Generator. Ensure that the +9.5 Vdc supply is connected to the RF Preselector (red wire). Connect the Tracking Generator output at a level of -20 dBm to the Receiver's RF input. Connect the Spectrum Analyzer input to the RF Preselector's IF output (SMB cable normally connected to the Receiver Mainboard). Adjust the helical filter trimmer capacitors for a flat response at a level typically -40 dBm to -65 dBm, centred at the desired RF frequency. The alternate method of tuning the RF Preselector is to monitor receiver SINAD. Inject the desired RF signal to the RF input connector at a level of -118 dBm and adjust the helical filter trimmer capacitors for best receiver SINAD (\leq -118 dBm).

RSS Service Mode:

The RSS has the ability to put a receiver into Service Mode, where the Reference Oscillator may be aligned, Audio Levels may be set, Jumper Settings may be selected, a BER test can be performed, and an RSSI meter can be monitored. To put the receiver into Service Mode, it must be connected to a PC running the Radio Service Software (RSS) using a type A to 5-pin mini-type B USB cable. From the RSS Receiver Configuration window, click on the Service button. Note that you must not remove power to the radio or swap radios during servicing. When any required Service functions have been completed, the radio can be taken out of Service Mode by clicking on the Quit button in the Service window.

Note: For complete alignment procedures, refer to the instruction manual. These notes are for reference only.

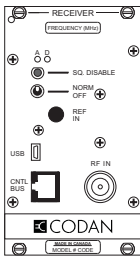
43 Erie Street
Victoria, B.C.
Canada V8V 1P8

Toll Free Canada & U.S.A.
Phone: 1-800-664-4066
Fax: 1-877-750-0004

International
Phone: 250-382-8268
Fax: 250-382-6139

Internet
Email: LMRsales@codanradio.com
Web: www.codanradio.com

TN267 UR-4E UHF MT-4E Receiver



The UR-4E UHF receiver is an FM radio module capable of analog operation in 12.5 KHz (narrowband) or 25 KHz (wideband) channels. A firmware upgrade may be purchased to allow P25 digital operation. The UR-4E UHF receiver operates in one of five frequency bands: 380 to 406 MHz, 406 to 430 MHz, 430 to 450 MHz, 450 to 470 MHz or 470 to 520 MHz. A modular design allows each of the receiver's internal modules to be individually assembled and tested. This facilitates construction, tuning and maintenance as well as troubleshooting procedures. The receiver can be programmed with up to 2 banks of 16 channels each.

Specifications

Frequency Bands	380 - 406 / 406 - 430 / 430 - 450 / 450 - 470 / 470 - 520 MHz
Channel Spacing	12.5 and 25 KHz
Frequency Switching Range	± 2 MHz
Reference Sensitivity (12 dB SINAD and 5% BER)	≤ -116 dBm (.350 μV) 380 & 440 & 500 ≤ -118 dBm (.280 μV) 420 & 460
Adjacent Channel Rejection (Class A)	≥ 45 dB; NB Analog / ≥ 75 dB; WB Analog / ≥ 60 dB; Digital
Adjacent Channel Rejection (Class B)	≥ 40 dB; NB Analog / ≥ 70 dB; WB Analog / ≥ 60 dB; Digital
Conducted Spurious Output Power (Analog)	≤ -95 dBm (Class A & 380 & 440) / ≤ -80 dBm (500) ≤ -57 dBm (Class B)
Intermodulation Rejection	≥ 75 dB Analog / ≥ 80 dB Digital (Class A & 380 & 440) ≥ 70 dB Analog / ≥ 70 dB Digital (Class B)
Hum & Noise Ratio	≥ 34 dB Narrowband / ≥ 40 dB Wideband
L.O. Frequency Stability	± 0.5 ppm (-30°C to +60°C)
Audio Distortion (Analog and Digital)	≤ 2.0 % (25°C); ≤ 3.0 % (-30°C to +60°C)
Audio Output Level (600 Ω Balanced)	≤ +3.0 dBm
Operating Temperature	-30°C to +60°C
Supply Current (Class A)	≤ 250 mA / ≤ 280 mA with encryption module
Supply Current (Class B)	≤ 115 mA / ≤ 145 mA with encryption module
Supply Current (380 & 440)	≤ 270 mA / ≤ 300 mA with encryption module

Models Available

UR-4E380-00-000	12.5 / 25 KHz Bandwidth, 380 - 406 MHz, Class B
UR-4E420-A0-000	12.5 / 25 KHz Bandwidth, 406 - 430 MHz, Class A
UR-4E420-00-000	12.5 / 25 KHz Bandwidth, 406 - 430 MHz, Class B
UR-4E440-00-000	12.5 / 25 KHz Bandwidth, 430 - 450 MHz, Class B
UR-4E460-A0-000	12.5 / 25 KHz Bandwidth, 450 - 470 MHz, Class A
UR-4E460-00-000	12.5 / 25 KHz Bandwidth, 450 - 470 MHz, Class B
UR-4E500-00-000	12.5 / 25 KHz Bandwidth, 470 - 520 MHz, Class B * Not available in Canada

Receiver Operating Frequency

The receiver is initially aligned at the factory for the frequency shown on the label on the front panel. For a small frequency change, no re-alignment of the receiver may be required. If the frequency change is greater than **±2 MHz** from the frequency at which the last complete receiver alignment was performed, the **RF Preselector** will need to be realigned. To align and / or adjust the receiver, the outer cover needs to be removed; the receiver needs to be plugged into the subrack via a cable and / or extender card; and power must be applied to the system.

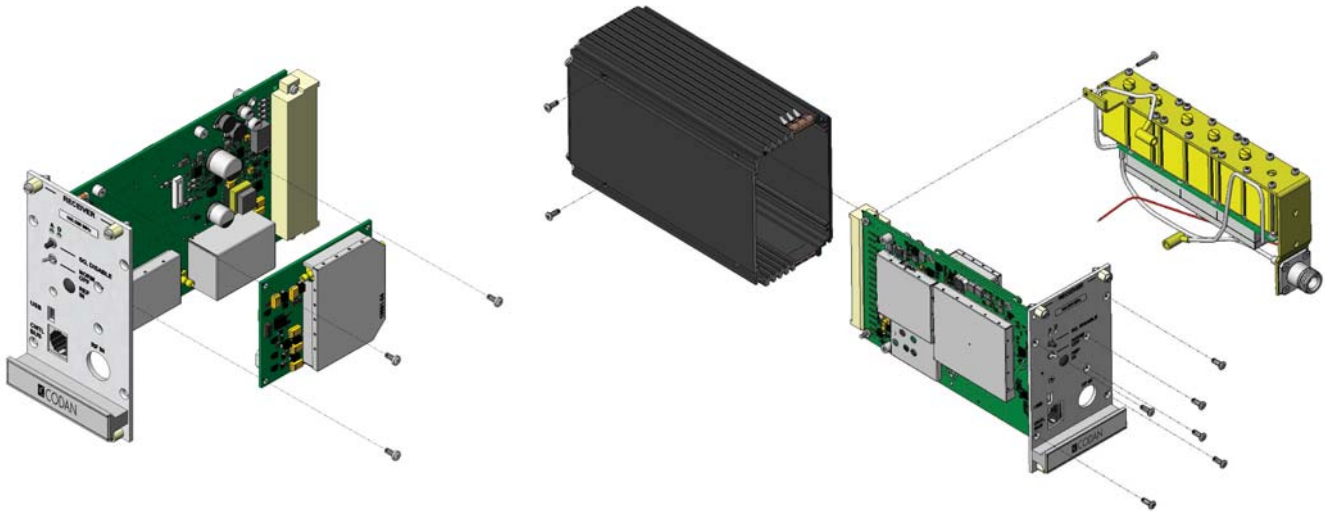
43 Erie Street
Victoria, B.C.
Canada V8V 1P8

Toll Free Canada & U.S.A.
Phone: 1-800-664-4066
Fax: 1-877-750-0004

International
Phone: 250-382-8268
Fax: 250-382-6139

Internet
Email: LMRsales@codanradio.com
Web: www.codanradio.com

TN267 UR-4E UHF MT-4E Receiver



The UR-4E UHF receiver is primarily software-controlled, allowing tuning, programming and maintenance to be done via software service with few hardware adjustments required.

RF Preselector Alignment:

Alignment for the RF Preselector consists of tuning the five-section helical filter only. There are two methods of tuning the RF Preselector. The preferred method of tuning the RF Preselector is to use a Spectrum Analyzer with a Tracking Generator. Ensure that the +9.5 Vdc supply is connected to the RF Preselector (red wire). Connect the Tracking Generator output at a level of -20 dBm to the Receiver's RF input. Connect the Spectrum Analyzer input to the RF Preselector's IF output (SMB cable normally connected to the Receiver Mainboard). Adjust the helical filter trimmer capacitors for a flat response at a level typically -40 dBm to -65 dBm (-20 dBm to -40 dBm for Class B), centred at the desired RF frequency. The alternate method of tuning the RF Preselector is to monitor receiver SINAD. Inject the desired RF signal to the RF input connector at a level of -118 dBm and adjust the helical filter trimmer capacitors for best receiver SINAD (\leq -118 dBm).

RSS Service Mode:

The RSS has the ability to put a receiver into Service Mode, where the Reference Oscillator may be aligned, Audio Levels may be set, Jumper Settings may be selected, a BER test can be performed, and an RSSI meter can be monitored. To put the receiver into Service Mode, it must be connected to a PC running the Radio Service Software (RSS) using a type A to 5-pin mini-type B USB cable. From the RSS Receiver Configuration window, click on the Service button. Note that you must not remove power to the radio or swap radios during servicing. When any required Service functions have been completed, the radio can be taken out of Service Mode by clicking on the Quit button in the Service window.

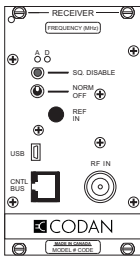
Note: For complete alignment procedures, refer to the instruction manual. These notes are for reference only.

43 Erie Street
Victoria, B.C.
Canada V8V 1P8

Toll Free Canada & U.S.A.
Phone: 1-800-664-4066
Fax: 1-877-750-0004

International
Phone: 250-382-8268
Fax: 250-382-6139

Internet
Email: LMRsales@codanradio.com
Web: www.codanradio.com

TN287 UR-4E UHF 700 / 800 / 900 MHz MT-4E Receiver


The UR-4E UHF 700 / 800 / 900 MHz receiver is an FM radio module capable of analog operation in 12.5 KHz (narrowband) or 25 KHz (wideband) channels. A firmware upgrade may be purchased to allow P25 digital operation. The UR-4E UHF 700 / 800 / 900 MHz receiver operates in one of five frequency bands: 768 to 776 MHz, 798 to 824 MHz, 851 to 869 MHz, 896 to 902 MHz or 930 to 960 MHz. A modular design allows each of the receiver's internal modules to be individually assembled and tested. This facilitates construction, tuning and maintenance as well as troubleshooting procedures. The receiver can be programmed with up to 2 banks of 16 channels each.

Specifications

Frequency Bands	768 - 776 / 798 - 824 / 851 - 869 / 896 - 902 / 930 - 960 MHz
Channel Spacing	12.5 and 25 KHz
Frequency Switching Range	Full Band
Reference Sensitivity (12 dB SINAD and 5% BER)	≤ -116 dBm (.350 μV)
Adjacent Channel Rejection	≥ 45 dB; NB Analog / ≥ 70 dB; WB Analog / ≥ 60 dB; Digital
Conducted Spurious Output Power (Analog)	≤ -80 dBm
Intermodulation Rejection	≥ 70 dB
Hum & Noise Ratio	≥ 31 dB Narrowband / ≥ 37 dB Wideband
L.O. Frequency Stability	± 0.1 ppm (-30°C to +60°C)
Audio Distortion (Analog and Digital)	≤ 3.0 % (25°C); ≤ 5.0 % (-30°C to +60°C)
Audio Output Level (600 Ω Balanced)	≤ +3.0 dBm
Operating Temperature	-30°C to +60°C
Supply Current	≤ 200 mA / ≤ 230 mA with encryption module

Models Available

UR-4E768-00-000	12.5 / 25 KHz Bandwidth, 768 - 776 MHz, Class B
UR-4E800-00-000	12.5 / 25 KHz Bandwidth, 798 - 824 MHz, Class B
UR-4E850-00-000	12.5 / 25 KHz Bandwidth, 851 - 869 MHz, Class B
UR-4E900-00-000	12.5 / 25 KHz Bandwidth, 896 - 902 MHz, Class B
UR-4E950-00-000	12.5 / 25 KHz Bandwidth, 930 - 960 MHz, Class B

Receiver Operating Frequency

The receiver is initially aligned at the factory for the center of the frequency range and is programmed for the frequency shown on the label on the front panel. No re-alignment of the receiver is required to change frequencies.

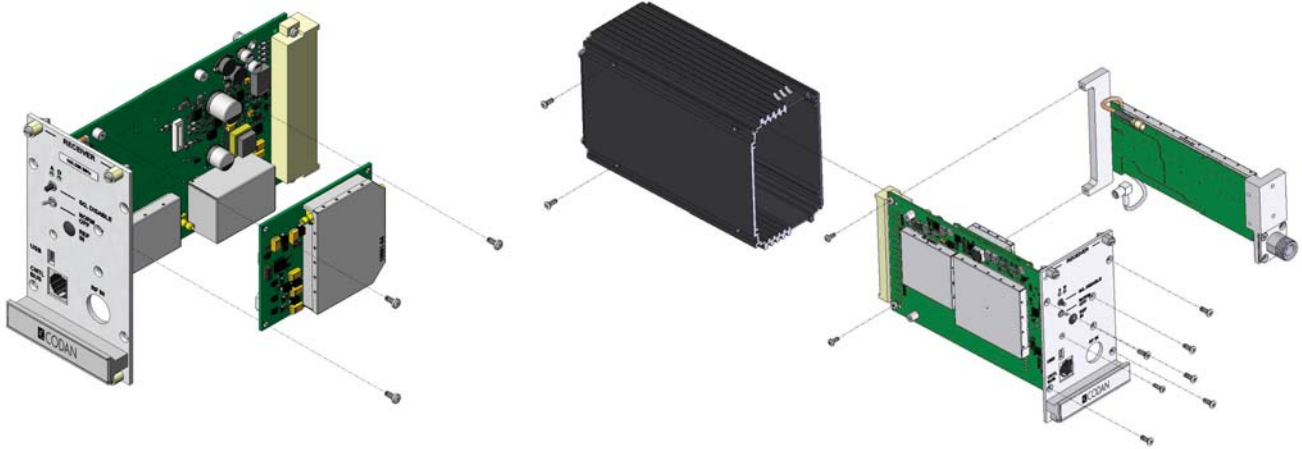
43 Erie Street
Victoria, B.C.
Canada V8V 1P8

Toll Free Canada & U.S.A.
Phone: 1-800-664-4066
Fax: 1-877-750-0004

International
Phone: 250-382-8268
Fax: 250-382-6139

Internet
Email: LMRsales@codanradio.com
Web: www.codanradio.com

TN287 UR-4E UHF 700 / 800 / 900 MHz MT-4E Receiver



The UR-4E UHF 700 / 800 / 900 MHz receiver is primarily software-controlled, allowing tuning, programming and maintenance to be done via software service with few hardware adjustments required.

RSS Service Mode:

The RSS has the ability to put a receiver into Service Mode, where the Reference Oscillator may be aligned, Audio Levels may be set, Jumper Settings may be selected, a BER test can be performed, and an RSSI meter can be monitored. To put the receiver into Service Mode, it must be connected to a PC running the Radio Service Software (RSS) using a type A to 5-pin mini-type B USB cable. From the RSS Receiver Configuration window, click on the Service button. Note that you must not remove power to the radio or swap radios during servicing. When any required Service functions have been completed, the radio can be taken out of Service Mode by clicking on the Quit button in the Service window.

Note: For complete alignment procedures, refer to the instruction manual. These notes are for reference only.

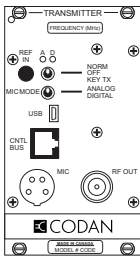
43 Erie Street
Victoria, B.C.
Canada V8V 1P8

Toll Free Canada & U.S.A.
Phone: 1-800-664-4066
Fax: 1-877-750-0004

International
Phone: 250-382-8268
Fax: 250-382-6139

Internet
Email: LMRsales@codanradio.com
Web: www.codanradio.com

TN347 VT-4E VHF MT-4E Transmitter



The VT-4E VHF transmitter is an FM radio module capable of analog operation in 12.5 KHz (narrowband) or 25 KHz (wideband) channels. A firmware upgrade may be purchased to allow P25 digital operation. The VT-4E VHF transmitter operates over the frequency band from 136 to 174 MHz. A modular design allows each of the transmitter's internal modules to be individually assembled and tested. This facilitates construction, tuning and maintenance as well as troubleshooting procedures. The transmitter can be programmed with up to 2 banks of 16 channels each.

Specifications

Frequency Band	136 - 174 MHz
Channel Spacing	12.5, 15, 25 and 30 KHz
Frequency Switching Range	Full Band; ± 0.5 MHz for VSWR alarm
RF Output Power	0.5 to 8.0 Watts adjustable
Duty Cycle	100% (-30°C to +60°C)
Undesired Emissions (Conducted Spurious)	≤ -70 dBc @ 8.0 Watts
Undesired Emissions (Adjacent Channel Power Ratio)	≤ -60 dBc; Narrowband Analog / ≤ -70 dBc; Wideband Analog
Intermodulation Attenuation	≥ 45 dB
FM Hum & Noise Ratio	≥ 42 dB; Narrowband / ≥ 48 dB; Wideband
Carrier Frequency Stability	± 1.0 ppm (-30°C to +60°C)
Emission Designators	Analog: 11K0F3E (Narrowband); 16K0F3E (Wideband) Paging: 9K20F1D P25 Digital: 8K10F1E (Digital Voice); 8K10F1D (Digital Data)
Audio Distortion (60% of maximum deviation)	$\leq 3.0\%$ (-30°C to +60°C)
VSWR Protection	$\leq 20:1$ VSWR (All Phase Angles)
Operating Temperature	-30°C to +60°C
Standby Current	≤ 50 mA / ≤ 80 mA with encryption module
Transmit Current (8.0 W)	≤ 2.80 A

Models Available

VT-4E150-00-800 12.5 / 25 KHz Bandwidth, 0.5 - 8.0 W, 136 - 174 MHz

Transmitter Operating Frequency

The transmitter is initially aligned at the factory for the frequency shown on the label on the front panel. For a small frequency change, no re-alignment of the transmitter may be required. If the frequency change is greater than **± 0.5 MHz** from the frequency at which the last complete transmitter alignment was performed, the **VSWR alarm / overload** (if used) will need to be realigned. To align and / or adjust the transmitter, the outer cover needs to be removed; the transmitter needs to be plugged into the subrack via a cable and / or extender card; and power must be applied to the system. A 50 Ω dummy load should be connected to the RF output when transmitting.

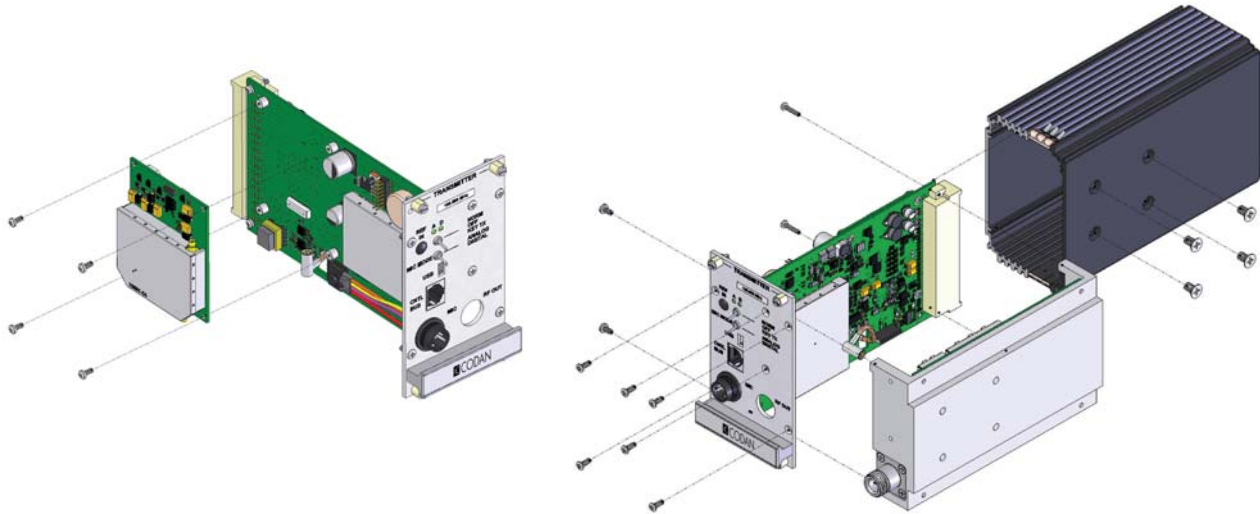
43 Erie Street
Victoria, B.C.
Canada V8V 1P8

Toll Free Canada & U.S.A.
Phone: 1-800-664-4066
Fax: 1-877-750-0004

International
Phone: 250-382-8268
Fax: 250-382-6139

Internet
Email: LMRsales@codanradio.com
Web: www.codanradio.com

TN347 VT-4E VHF MT-4E Transmitter



The VT-4E VHF transmitter is primarily software controlled, allowing tuning, programming and maintenance to be done via software service with few hardware adjustments required.

VSWR Alarm / Overload Adjustment:

The VSWR alarm / overload only requires adjustment if the VSWR Alarm is being used. When the VSWR alarm / overload circuit is properly set, the Amplifier is protected from excessive antenna VSWR by reducing the amplifier's gain when an overload condition occurs. If the VSWR alarm is not set, the amplifier is still protected by a current limiter circuit. The circuit limits Amplifier current draw to 2.0 Amps and protects the Amplifier from damage.

To set the VSWR alarm / overload circuit properly, the RF power level must be set to the desired RF power output first. After the RF power level is properly set, rotate the VSWR alarm adjust potentiometer (RV3) fully counter clockwise. Terminate the transmitter with a 3:1 mismatch load and connect a voltmeter to Pin 5 of connector J1 in the transmitter. Slowly adjust the VSWR alarm adjust potentiometer (RV3) clockwise until Pin 5 reads +2.5 Vdc, or a noticeable drop (10% of total current or more) in current on the +13.8 Vdc line occurs.

RSS Service Mode:

The RSS has the ability to put a transmitter into Service Mode, where the Reference Oscillator may be aligned, Audio Levels, Subtone Deviation Levels and RF Power Levels may be set, Jumper Settings may be selected, and Test Patterns can be generated. To put the transmitter into Service Mode, it must be connected to a PC running the Radio Service Software (RSS) using a type A to 5 pin mini-type B USB cable. From the RSS Transmitter Configuration window, click on the Service button. When any required Service functions have been completed, the radio can be taken out of Service Mode by clicking on the Quit button in the Service window.

NOTE: Do not remove power to the radio or swap radios during servicing.

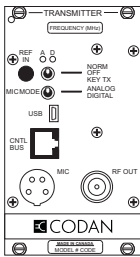
Note: For complete alignment procedures, refer to the instruction manual. These notes are for reference only.

43 Erie Street
Victoria, B.C.
Canada V8V 1P8

Toll Free Canada & U.S.A.
Phone: 1-800-664-4066
Fax: 1-877-750-0004

International
Phone: 250-382-8268
Fax: 250-382-6139

Internet
Email: LMRsales@codanradio.com
Web: www.codanradio.com

TN367 UT-4E UHF MT-4E Transmitter


The UT-4E UHF transmitter is an FM radio module capable of analog operation in 12.5 KHz (narrowband) or 25 KHz (wideband) channels. A firmware upgrade may be purchased to allow P25 digital operation. The UT-4E UHF transmitter operates in one of three frequency bands: 380 to 406 MHz, 406 to 470 MHz or 470 to 520 MHz. A modular design allows each of the transmitter's internal modules to be individually assembled and tested. This facilitates construction, tuning and maintenance as well as troubleshooting procedures. The transmitter can be programmed with up to 2 banks of 16 channels each.

Specifications

Frequency Bands	380 - 406 / 406 - 470 MHz / 470 - 520 MHz
Channel Spacing	12.5 and 25 KHz
Frequency Switching Range	Full Band; ± 0.5 MHz for VSWR alarm
RF Output Power	0.5 to 8.0 Watts adjustable or 0.5 to 6.0 Watts adjustable
Duty Cycle	100% (-30°C to +60°C)
Undesired Emissions (Conducted Spurious)	≤ -70 dBc (-31 dBm @ 6 / 8 W) 380 & 450; (-32 dBm @ 6W) 500
Undesired Emissions (Adjacent Channel Power Ratio)	≤ -60 dBc; Narrowband Analog / ≤ -70 dBc; Wideband Analog ≤ -67 dBc; Digital
Intermodulation Attenuation	≥ 40 dB (380) / ≥ 45 dB (450 & 500)
FM Hum & Noise Ratio	≥ 40 dB NB ; ≥ 46 dB WB (380) / ≥ 38 dB NB ; ≥ 44 dB WB (450) ≥ 34 dB; NB ; ≥ 40 dB; WB (500)
Carrier Frequency Stability	± 0.5 ppm (-30°C to +60°C)
Emission Designators	Analog: 11K0F3E (Narrowband); 16K0F3E (Wideband) Paging: 9K20F1D P25 Digital: 8K10F1E (Digital Voice); 8K10F1D (Digital Data)
Audio Distortion (60% of maximum deviation)	$\leq 3.0\%$ (-30°C to +60°C)
VSWR Protection	$\leq 20:1$ VSWR (All Phase Angles)
Operating Temperature	-30°C to +60°C
Standby Current	≤ 50 mA / ≤ 80 mA with encryption module
Transmit Current (8.0 W)	≤ 2.80 A

Models Available

UT-4E380-00-800	12.5 / 25 KHz Bandwidth, 0.5 - 6.0 W, 380 - 406 MHz
UT-4E450-00-800	12.5 / 25 KHz Bandwidth, 0.5 - 8.0 W, 406 - 470 MHz
UT-4E500-00-800	12.5 / 25 KHz Bandwidth, 0.5 - 6.0 W, 470 - 520 MHz *Not available in Canada

Transmitter Operating Frequency

The transmitter is initially aligned at the factory for the frequency shown on the label on the front panel. For a small frequency change, no re-alignment of the transmitter may be required. If the frequency change is greater than ± 0.5 MHz from the frequency at which the last complete transmitter alignment was performed, the **VSWR alarm / overload** (if used) will need to be realigned. To align and / or adjust the transmitter, the outer cover needs to be removed; the transmitter needs to be plugged into the subrack via a cable and / or extender card; and power must be applied to the system. A 50 Ω dummy load should be connected to the RF output when transmitting.

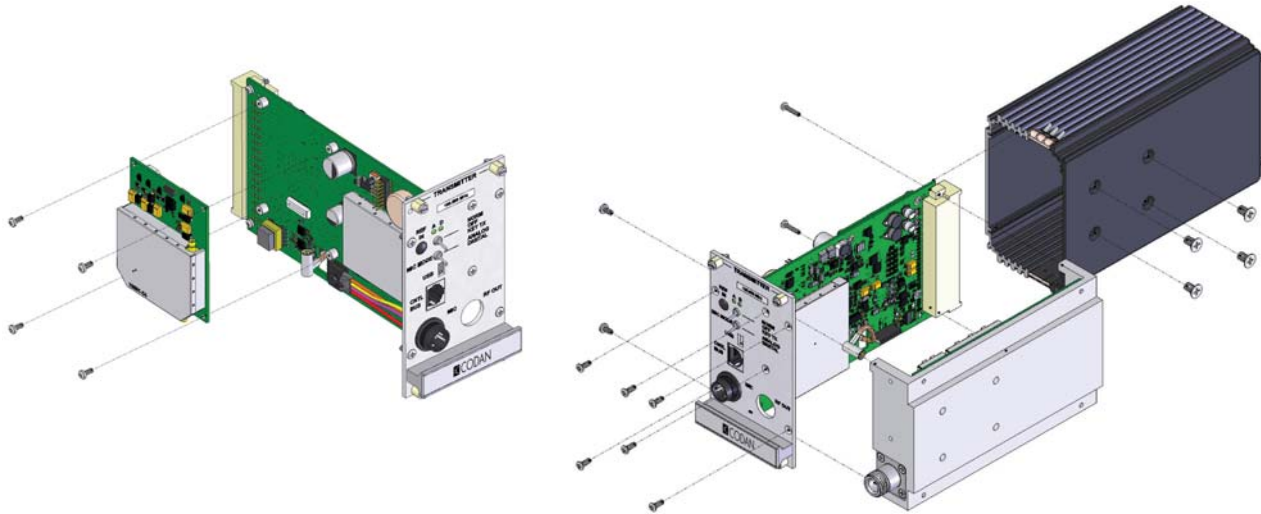
43 Erie Street
Victoria, B.C.
Canada V8V 1P8

Toll Free Canada & U.S.A.
Phone: 1-800-664-4066
Fax: 1-877-750-0004

International
Phone: 250-382-8268
Fax: 250-382-6139

Internet
Email: LMRsales@codanradio.com
Web: www.codanradio.com

TN367 UT-4E UHF MT-4E Transmitter



The UT-4E UHF transmitter is primarily software controlled, allowing tuning, programming and maintenance to be done via software service with few hardware adjustments required.

VSWR Alarm / Overload Adjustment:

The VSWR alarm / overload only requires adjustment if the VSWR Alarm is being used. When the VSWR alarm / overload circuit is properly set, the Amplifier is protected from excessive antenna VSWR by reducing the amplifier's gain when an overload condition occurs. If the VSWR alarm is not set, the amplifier is still protected by a current limiter circuit. The circuit limits Amplifier current draw to 2.0 Amps and protects the Amplifier from damage.

To set the VSWR alarm / overload circuit properly, the RF power level must be set to the desired RF power output first. After the RF power level is properly set, rotate the VSWR alarm adjust potentiometer (RV3) fully counter clockwise. Terminate the transmitter with a 3:1 mismatch load and connect a voltmeter to Pin 5 of connector J1 in the transmitter. Slowly adjust the VSWR alarm adjust potentiometer (RV3) clockwise until Pin 5 reads +2.5 Vdc, or a noticeable drop (10% of total current or more) in current on the +13.8 Vdc line occurs.

RSS Service Mode:

The RSS has the ability to put a transmitter into Service Mode, where the Reference Oscillator may be aligned, Audio Levels, Subtone Deviation Levels and RF Power Levels may be set, Jumper Settings may be selected, and Test Patterns can be generated. To put the transmitter into Service Mode, it must be connected to a PC running the Radio Service Software (RSS) using a type A to 5 pin mini-type B USB cable. From the RSS Transmitter Configuration window, click on the Service button. When any required Service functions have been completed, the radio can be taken out of Service Mode by clicking on the Quit button in the Service window.

NOTE: Do not remove power to the radio or swap radios during servicing.

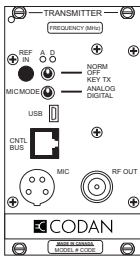
Note: For complete alignment procedures, refer to the instruction manual. These notes are for reference only.

43 Erie Street
Victoria, B.C.
Canada V8V 1P8

Toll Free Canada & U.S.A.
Phone: 1-800-664-4066
Fax: 1-877-750-0004

International
Phone: 250-382-8268
Fax: 250-382-6139

Internet
Email: LMRsales@codanradio.com
Web: www.codanradio.com

TN387 UT-4E UHF 700 / 800 / 900 MHz MT-4E Transmitter


The UT-4E UHF 700 / 800 / 900 MHz transmitter is an FM radio module capable of analog operation in 12.5 KHz (narrowband), 25 KHz (wideband) or 20 KHz (NPSPAC) channels. A firmware upgrade may be purchased to allow P25 digital operation. The UT-4E UHF 700 / 800 / 900 MHz transmitter operates in one of two frequency bands: 768 to 869 MHz or 896 to 960 MHz. A modular design allows each of the transmitter's internal modules to be individually assembled and tested. This facilitates construction, tuning and maintenance as well as troubleshooting procedures. The transmitter can be programmed with up to 2 banks of 16 channels each.

Specifications

Frequency Bands	768 - 869 MHz / 896 - 960 MHz
Channel Spacing	12.5 and 25 KHz (20 KHz NPSPAC; 850 only)
Frequency Switching Range	Full Band; ± 0.5 MHz for VSWR alarm
RF Output Power	0.5 to 3.0 Watts adjustable
Duty Cycle	100% (-30°C to +60°C)
Undesired Emissions (Conducted Spurious)	≤ -80 dBc (-45 dBm @ 3.0 Watts) 850 ≤ -65 dBc (-30 dBm @ 3.0 Watts) 900
Undesired Emissions (Adjacent Channel Power Ratio)	≤ -50 dBc; Narrowband Analog / ≤ -60 dBc; Wideband Analog ≤ -67 dBc; Digital
Intermodulation Attenuation	≥ 40 dB
FM Hum & Noise Ratio	≥ 34 dB; NB ; ≥ 40 dB; WB ; ≥ 35 dB; NPSPAC (850) ≥ 31 dB; NB ; ≥ 37 dB; WB ; ≥ 35 dB; NPSPAC (900)
Carrier Frequency Stability	± 0.1 ppm (-30°C to +60°C)
Emission Designators	Analog: 11K0F3E (Narrowband); 16K0F3E (Wideband) Analog: 14K0F3E (20 KHz NPSPAC 850 only) Paging: 9K20F1D (Narrowband); 16K0F1D (Wideband) P25 Digital: 8K10F1E (Digital Voice); 8K10F1D (Digital Data)
Audio Distortion (60% of maximum deviation)	$\leq 3.0\%$ (-30°C to +60°C)
VSWR Protection	$\leq 20:1$ VSWR (All Phase Angles)
Operating Temperature	-30°C to +60°C
Standby Current	≤ 115 mA / ≤ 145 mA with encryption module
Transmit Current (3.0 W)	≤ 1.80 A

Models Available

UT-4E850-00-300	12.5 / 25 KHz Bandwidth, 0.5 - 3.0 W, 768 - 869 MHz
UT-4E900-00-300	12.5 / 25 KHz Bandwidth, 0.5 - 3.0 W, 896 - 960 MHz

Transmitter Operating Frequency

The transmitter is initially aligned at the factory for the frequency shown on the label on the front panel. For a small frequency change, no re-alignment of the transmitter may be required. If the frequency change is greater than ± 0.5 MHz from the frequency at which the last complete transmitter alignment was performed, the **VSWR alarm / overload** (if used) will need to be realigned. To align and / or adjust the transmitter the outer cover needs to be removed, the transmitter needs to be plugged into the subrack via a cable and / or extender card and power must be applied to the system. A 50 Ω dummy load should be connected to the RF output when transmitting.

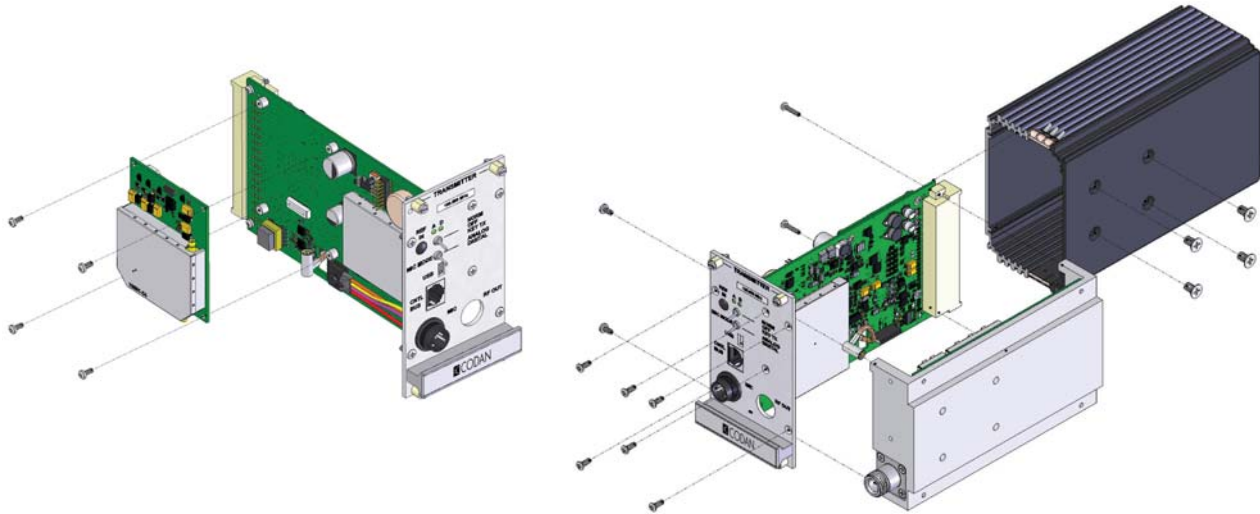
43 Erie Street
Victoria, B.C.
Canada V8V 1P8

Toll Free Canada & U.S.A.
Phone: 1-800-664-4066
Fax: 1-877-750-0004

International
Phone: 250-382-8268
Fax: 250-382-6139

Internet
Email: LMRsales@codanradio.com
Web: www.codanradio.com

TN387 UT-4E UHF 700 / 800 / 900 MHz MT-4E Transmitter



The UT-4E UHF 700 / 800 / 900 MHz transmitter is primarily software controlled, allowing tuning, programming and maintenance to be done via software service with few hardware adjustments required.

VSWR Alarm / Overload Adjustment:

The VSWR alarm / overload only requires adjustment if the VSWR Alarm is being used. When the VSWR alarm / overload circuit is properly set, the Amplifier is protected from excessive antenna VSWR by reducing the amplifier's gain when an overload condition occurs. If the VSWR alarm is not set, the amplifier is still protected by a current limiter circuit. The circuit limits Amplifier current draw to 2.0 Amps and protects the Amplifier from damage.

To set the VSWR alarm / overload circuit properly, the RF power level must be set to the desired RF power output first. After the RF power level is properly set, rotate the VSWR alarm adjust potentiometer (RV3) fully counter clockwise. Terminate the transmitter with a 3:1 mismatch load and connect a voltmeter to Pin 5 of connector J1 in the transmitter. Slowly adjust the VSWR alarm adjust potentiometer (RV3) clockwise until Pin 5 reads +2.5 Vdc, or a noticeable drop (10% of total current or more) in current on the +13.8 Vdc line occurs.

RSS Service Mode:

The RSS has the ability to put a transmitter into Service Mode, where the Reference Oscillator may be aligned, Audio Levels, Subtone Deviation Levels and RF Power Levels may be set, Jumper Settings may be selected, and Test Patterns can be generated. To put the transmitter into Service Mode, it must be connected to a PC running the Radio Service Software (RSS) using a type A to 5 pin mini-type B USB cable. From the RSS Transmitter Configuration window, click on the Service button. When any required Service functions have been completed, the radio can be taken out of Service Mode by clicking on the Quit button in the Service window.

NOTE: Do not remove power to the radio or swap radios during servicing.

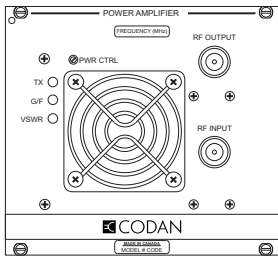
Note: For complete alignment procedures, refer to the instruction manual. These notes are for reference only.

43 Erie Street
Victoria, B.C.
Canada V8V 1P8

Toll Free Canada & U.S.A.
Phone: 1-800-664-4066
Fax: 1-877-750-0004

International
Phone: 250-382-8268
Fax: 250-382-6139

Internet
Email: LMRsales@codanradio.com
Web: www.codanradio.com

TN441 AMP-4 VHF and UHF 30 Watt Power Amplifiers


The AMP-4 30 Watt power amplifier operates in one of three frequency bands: 136 to 174 MHz, 380 to 430 MHz or 450 to 520 MHz. The power amplifier is rated for continuous duty at an adjustable RF output power of 20 to 30 Watts. The output power is adjusted either using the front panel potentiometer (local mode) or by a voltage via the rear panel connector (remote mode). The local and remote mode output power control is determined by a hardware jumper on the inside of the power amplifier. The AMP-4 was designed to mate with any of the MT-3 / MT-4 transmitter exciter modules.. The input to the power amplifier cannot exceed 8.0 Watts.

Specifications

Frequency Band	136 - 174 MHz / 380 - 430 MHz / 450 - 520 MHz
RF Output Power	20 to 30 Watts adjustable
RF Input Power Range (from exciter)	6.4 to 8.0 Watts (VHF) / 6.0 to 8.0 Watts (UHF)
Duty Cycle	100% (-30°C to +60°C)
Undesired Emissions: Conducted Spurious (Includes Harmonics)	≤ -70 dBc
Undesired Emissions: Radiated Spurious	≤ -13 dBm (≤ 57.8 dBc)
Intermodulation Attenuation	≥ 40 dB
Thermal	Thermal interlock disables @ +80°C (± 5°C) / +176°F Resets at +70°C (± 7°C) / +158°F
Fan	Fan activates @ +60°C (± 5°C) / +140°F Resets @ +40°C / +104°F
VSWR Protection	≤ 20:1 VSWR (All Phase Angles)
Operating Temperature	-30°C to +60°C
Output Impedance	50 Ω
Standby Current Drain	≤ 5 mA
Transmit Current Drain	≤ 7.00 A

Models Available

AMP-4-150-30-00	FM, 20 - 30 Watts continuous duty, 136 - 174 MHz
AMP-4-410-30-00	FM, 20 - 30 Watts continuous duty, 380 - 430 MHz
AMP-4-470-30-00	FM, 20 - 30 Watts continuous duty, 450 - 470 MHz

Guide Rails in Subrack for Power Amplifier:

The AMP-4 is installed in the subrack (taking up a transmitter and receiver slot) and is mated with a transmitter exciter. Additional guide rails are required to be mounted in the subrack to support the AMP-4 properly. The amplifier can be mounted in slot "A" or slot "B" in the subrack. A guide strip at the top of the subrack will help to place the guide rails in the proper position by following the numbers on the guide strip. Only the top portion of the subrack is labeled. Guide rails must be added or removed in the same position on the bottom as on the top.

Remove any guide rails that were used to hold the AMP-2 amplifier. These guide rails will be located at number 20/21 for slot "A" and number 48/49 for slot "B". Install guide rails at number 11/12 and 34/35 for slot "A" and number 39/40 and 62/63 for slot "B".

43 Erie Street
Victoria, B.C.
Canada V8V 1P8

Toll Free Canada & U.S.A.
Phone: 1-800-664-4066
Fax: 1-877-750-0004

International
Phone: 250-382-8268
Fax: 250-382-6139

Internet
Email: LMRsales@codanradio.com
Web: www.codanradio.com

TN441 AMP-4 VHF and UHF 30 Watt Power Amplifiers

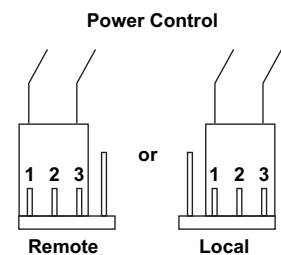
Power Amplifier Alignment:

Before aligning the 30 Watt Power Amplifier, the Transmitter Exciter should be tuned properly following the alignment procedures in the Technical Notes or Instruction Manual for the transmitter. **Disable the output power alarm, VSWR alarm, and VSWR overload** by turning the adjustment pots fully counter clockwise (if applicable, depending on use and model). Set the RF output power at **6.4 Watts**. **Do not exceed 8.0 Watts** at any time into the power amplifier.

Connect the transmitter exciter RF output to the power amplifier input using the 37 cm cable supplied with the power amplifier. Connect the Wattmeter to the power amplifier output and key the exciter by flipping the switch on the front panel to KEY TX.

If jumper J1 on the amplifier is set for Local Mode (default), adjust the front panel PWR CTRL (Power Control) pot to obtain the desired RF output power on the wattmeter.

If jumper J1 is set for Remote Mode, set the voltage on Pin Z22, on the rear connector of the power amplifier, to obtain the desired RF output power on the wattmeter. Pin Z22 can be accessed on an auxiliary panel on the back of the subrack. The Remote Power Control Voltage range is 0 to 9.5 Vdc.



Power Amplifier LEDs and Alarms:

The AMP-4 has a heavy duty and a thermally switched cooling fan. The power amplifier has three LEDs on the front panel and three open connector alarm outputs at the rear connector.

The green TX LED illuminates when the power amplifier is transmitting greater than 20 Watts. When the output power is less than 20 Watts, the “Low TX Output” open collector alarm on Pin B26 will activate.

The red G/F (General Fault) LED is a combination of two alarms: the heatsink temperature and the supply voltage.

The G/F LED will illuminate in standby mode when the heatsink temperature exceeds 80°C (176°F) and will reset when the temperature falls below 70°C (158°F).

The G/F LED will illuminate in active mode (transmit) when the supply voltage exceeds +17.8 Vdc and will reset when the supply voltage is reduced to +17.3 Vdc.

When the G/F LED illuminates, the “General Fault” open collector alarm on Pin B24 will activate, and the power amplifier turns off the voltage regulator to the RF and main control circuits to enter a low power mode

The red VSWR LED illuminates when the power amplifier has a VSWR of 2.1:1 to 4.0:1. When the VSWR LED illuminates, the “VSWR” open collector alarm on Pin Z26 will activate.

Note: For complete alignment procedures, refer to the instruction manual. These notes are for reference only.

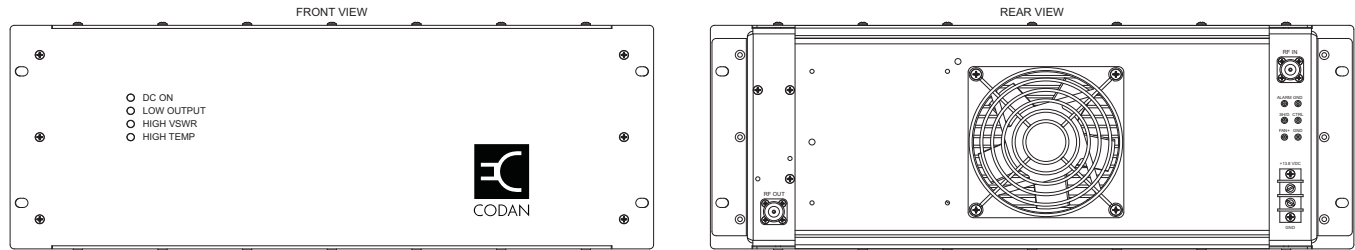
43 Erie Street
Victoria, B.C.
Canada V8V 1P8

Toll Free Canada & U.S.A.
Phone: 1-800-664-4066
Fax: 1-877-750-0004

International
Phone: 250-382-8268
Fax: 250-382-6139

Internet
Email: LMRsales@codanradio.com
Web: www.codanradio.com

TN490 19" Rack Mount High Power Amplifiers



The 19" rack mount high power amplifiers are available in VHF Lowband, VHF, UHF and 700 / 800 MHz frequency bands. The power amplifiers are rated for continuous duty at an RF output power of 60 - 110, 80 or 100 Watts and is designed to fit in 7" (4 RU) of rack space.

Specifications

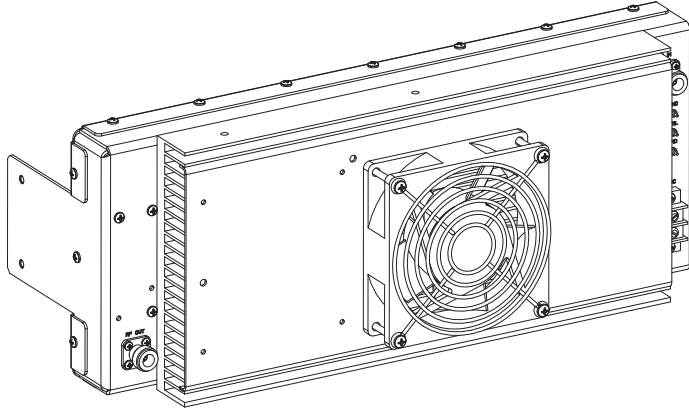
Frequency Bands	30 - 36 MHz / 36 - 42 MHz / 42 - 50 MHz (VHF Lowband) 136 - 144 MHz / 144 - 152 MHz (VHF) 152 - 162 MHz / 162 - 174 MHz (VHF) 406 - 450 MHz / 450 - 512 MHz (UHF) 768 - 869 MHz (700 / 800 MHz)
RF Output Power (factory set)	100 Watts (VHF Lowband and UHF) 60 - 110 Watts (VHF) 80 Watts (700 / 800 MHz)
RF Input Power Range (from exciter)	2.0 to 5.0 Watts (VHF Lowband and 700 / 800 MHz) 5.0 to 10.0 Watts (VHF and UHF)
Spurious & Harmonics	≤ -65 dBc @ 100 Watts RF output (VHF Lowband) ≤ -63 dBc @ 60 Watts RF output (VHF) ≤ -65 dBc @ 110 Watts RF output (VHF) ≤ -70 dBc @ 100 Watts RF output (UHF) ≤ -70 dBc @ 80 Watts RF output (700 / 800 MHz)
Duty Cycle	100% (-30°C to +60°C)
Load VSWR Tolerance	VSWR Protected above 2.5:1
Output Impedance	50 Ω
Tx Current Drain @ 100 W (VHF Lowband)	20 A (typical) / 23 A (maximum)
Tx Current Drain @ 60 W (VHF)	17 A (typical) / 22 A (maximum)
Tx Current Drain @ 110 W (VHF)	22 A (typical) / 25 A (maximum)
Tx Current Drain @ 100 W (UHF)	21 A (typical) / 25 A (maximum)
Tx Current Drain @ 80 W (700 / 800 MHz)	20 A (typical) / 24 A (maximum)
Weight	10 lbs
Depth	19.0 inches
Vertical Rack Space	7.0 inches (4 RU)
Horizontal Mounting	3.4 inches

43 Erie Street
Victoria, B.C.
Canada V8V 1P8

Toll Free Canada & U.S.A.
Phone: 1-800-664-4066
Fax: 1-877-750-0004

International
Phone: 250-382-8268
Fax: 250-382-6139

Internet
Email: LMRsales@codanradio.com
Web: www.codanradio.com

TN490 19" Rack Mount High Power Amplifiers**VHF Rear Panel Mount**

The VHF power amplifier is available in both a 19" rack mount package and a rear panel mount that attaches to the back of the Codan subrack. The rear panel mount cannot be used with an A-PNL-AUX96-3 Auxiliary Connector or the rear panel mount AC to DC or DC to DC Power Supplies. The rear panel mount amplifier does not come with the LED indicators but does maintain the ALARM, CTRL and SH/D pins.

Models Available

AMP-P10-2AA1-C1	Rack Mount, 100 Watts continuous duty, 30 - 36 MHz
AMP-P10-2AB1-C1	Rack Mount, 100 Watts continuous duty, 36 - 42 MHz
AMP-P10-2AC1-C1	Rack Mount, 100 Watts continuous duty, 42 - 50 MHz
AMP-140-110-D1P	Rear Panel Mount, 60 - 110 Watts continuous duty, 136 - 144 MHz
AMP-140-110-D1R	Rack Mount, 60 - 110 Watts continuous duty, 136 - 144 MHz
AMP-148-110-D1P	Rear Panel Mount, 60 - 110 Watts continuous duty, 144 - 152 MHz
AMP-148-110-D1R	Rack Mount, 60 - 110 Watts continuous duty, 144 - 152 MHz
AMP-157-110-D1P	Rear Panel Mount, 60 - 110 Watts continuous duty, 152 - 162 MHz
AMP-157-110-D1R	Rack Mount, 60 - 110 Watts continuous duty, 152 - 162 MHz
AMP-168-110-D1P	Rear Panel Mount, 60 - 110 Watts continuous duty, 162 - 174 MHz
AMP-168-110-D1R	Rack Mount, 60 - 110 Watts continuous duty, 162 - 174 MHz
AMP-428-100-D1R	Rack Mount, 100 Watts continuous duty, 406 - 450 MHz
AMP-481-100-D1R	Rack Mount, 100 Watts continuous duty, 450 - 512 MHz
AMP-817-080-D1R	Rack Mount, 80 Watts continuous duty, 768 - 869 MHz

43 Erie Street
Victoria, B.C.
Canada V8V 1P8

Toll Free Canada & U.S.A.
Phone: 1-800-664-4066
Fax: 1-877-750-0004

International
Phone: 250-382-8268
Fax: 250-382-6139

Internet
Email: LMRsales@codanradio.com
Web: www.codanradio.com

TN490 19" Rack Mount High Power Amplifiers

Power Amplifier Operation

The 19" rack mount high power amplifier has a heavy duty heatsink and an RF switched cooling fan. The power amplifier has four standard LEDs (not available on the VHF rear panel mount), and a summary alarm pin.

The LEDs operate as follows:

Label	Color	Description
DC ON	Green	Activates when DC power is connected.
LOW OUTPUT	Red	Activates when the output power drops to 80-85% of output power.
HIGH VSWR	Red	Activates when VSWR exceeds 2.5:1.
HIGH TEMP	Red	Activates when the amplifier exceeds safe operating temperature.

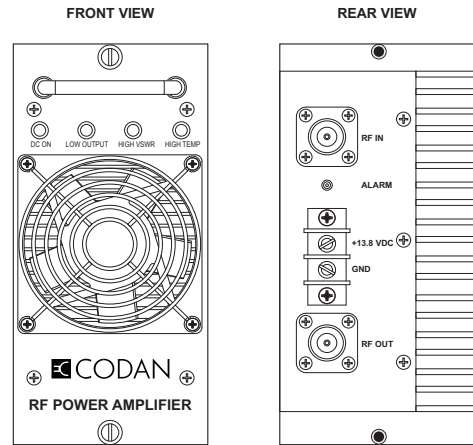
The three pins on the rear of the amplifier operate as follows:

Pin	Description
ALARM	A summary alarm that activates when any of three alarm conditions activate (Low Output, High VSWR or High Temp).
CTRL	When this pin is pulled to ground, the output power is reduced by 1 to 1.5 dB.
SH/D	When this pin is pulled to ground through a 0 to 50 K Ohm resistor, the output power is reduced by up to 4 dB.

TN490 19" Rack Mount High Power Amplifiers

This Page Intentionally Left Blank

TN491 Modular 5-Pack Series High Power Amplifiers



The modular 5-pack series high power amplifiers are available in VHF Lowband, VHF, UHF and 700 / 800 MHz frequency bands. The power amplifiers are rated for continuous duty at an RF output power of 80 or 100 Watts. Designed to be fully modular and space efficient, the 5-pack series allows for 5 amplifiers in 4 RU of rack space using a 19" subrack.

Specifications

Frequency Bands	36 - 42 MHz / 42 - 50 MHz (VHF Lowband) 136 - 144 MHz / 144 - 152 MHz (VHF) 152 - 162 MHz / 162 - 174 MHz (VHF) 406 - 450 MHz / 450 - 512 MHz (UHF) 764 - 870 MHz (700 / 800 MHz)
RF Output Power (factory set)	100 Watts (VHF Lowband, VHF and UHF) 80 Watts (700 / 800 MHz)
RF Input Power Range (from exciter)	2.0 to 5.0 Watts (VHF Lowband and 700 / 800 MHz) 5.0 to 10.0 Watts (VHF and UHF)
Spurious & Harmonics	≤ -65 dBc @ 100 Watts RF output (VHF Lowband and VHF) ≤ -70 dBc @ 100 Watts RF output (UHF) ≤ -70 dBc @ 80 Watts RF output (700 / 800 MHz)
Duty Cycle	100% (-30°C to +60°C)
Load VSWR Tolerance	VSWR Protected above 2.5:1
Output Impedance	50 Ω
Tx Current Drain @ 100 W (VHF Lowband)	20 A (typical) / 23 A (maximum)
Tx Current Drain @ 100 W (VHF)	18 A (typical) / 23 A (maximum)
Tx Current Drain @ 100 W (UHF)	21 A (typical) / 25 A (maximum)
Tx Current Drain @ 80 W (700 / 800 MHz)	20 A (typical) / 24 A (maximum)
Weight	10 lbs
Depth	19.0 inches
Vertical Rack Space	7.0 inches (4 RU)
Horizontal Mounting	3.4 inches

43 Erie Street
Victoria, B.C.
Canada V8V 1P8

Toll Free Canada & U.S.A.
Phone: 1-800-664-4066
Fax: 1-877-750-0004

International
Phone: 250-382-8268
Fax: 250-382-6139

Internet
Email: LMRsales@codanradio.com
Web: www.codanradio.com

TN491 Modular 5-Pack Series High Power Amplifiers

Models Available

A-RACK19-AMP-02	19" Subrack for 5-Pack Series Amplifiers, holds up to 5 amps
AMP-039-100-D1M	5 Pack Series, 100 Watts continuous duty, 36 - 42 MHz
AMP-046-100-D1M	5 Pack Series, 100 Watts continuous duty, 42 - 50 MHz
AMP-140-100-D1M	5 Pack Series, 100 Watts continuous duty, 136 - 144 MHz
AMP-148-100-D1M	5 Pack Series, 100 Watts continuous duty, 144 - 152 MHz
AMP-157-100-D1M	5 Pack Series, 100 Watts continuous duty, 152 - 162 MHz
AMP-168-100-D1M	5 Pack Series, 100 Watts continuous duty, 162 - 174 MHz
AMP-428-100-D1M	5 Pack Series, 100 Watts continuous duty, 406 - 450 MHz
AMP-481-100-D1M	5 Pack Series, 100 Watts continuous duty, 450 - 512 MHz
AMP-817-080-D1M	5 Pack Series, 100 Watts continuous duty, 768 - 869 MHz

Power Amplifier Operation

The Modular 5-pack Series high power amplifier has a heavy duty heatsink and an RF switched cooling fan. The power amplifier has four standard LEDs, and a summary alarm pin.

The LEDs operate as follows:

Label	Color	Description
DC ON	Green	Activates when DC power is connected.
LOW OUTPUT	Red	Activates when the output power drops to 80-85% of output power.
HIGH VSWR	Red	Activates when VSWR exceeds 2.5:1.
HIGH TEMP	Red	Activates when the amplifier exceeds safe operating temperature.

The ALARM pin on the rear of the amplifier operates as follows:

Pin	Description
ALARM	A summary alarm that activates when any of three alarm conditions activate (Low Output, High VSWR or High Temp).

TN500 SR-39-1 Subrack

The SR-39-1 subrack is designed to hold and interconnect the MT-3 and MT-4 series of receiver, transmitter and control modules on one universal motherboard. This Type 84 motherboard makes extensive use of cage jacks to interconnect the A and B systems supporting a number of field configurations. Additional auxiliary control connectors provide easy access to virtually all control and audio lines, simplifying many standard base / repeater configurations. Modules may be inserted in the subrack in many various configurations as shown in Figure 1. The Control 1 connector is used for the base or repeater control card or paging modulator. The Optional Control 2 card is for custom systems requiring specialized paging / data / audio interconnections and is not normally used. If the radio system is ordered with antenna relays, the system regulator with the relays is housed in a larger module that encompasses the area for the Control 2 module. The subrack has room for two transmitter and receiver pairs. The left side connectors are reserved for transmitter and receiver A (C in second subrack) respectively, while the right side connectors are reserved for transmitter and receiver B (D in second subrack). Although any transmitter and receiver can be placed in either of the respective slots, convention usually follows that the lower frequency radios will go in slots A and the higher in slots B to D.

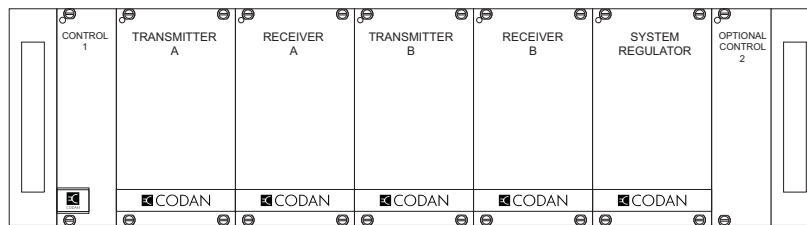


Figure 1: Standard Subrack

A quadruple system is shown in Figure 2 with A and B pairs in the first rack, and C and D pairs in the second rack. This system requires a multiple link controller and two system regulators.

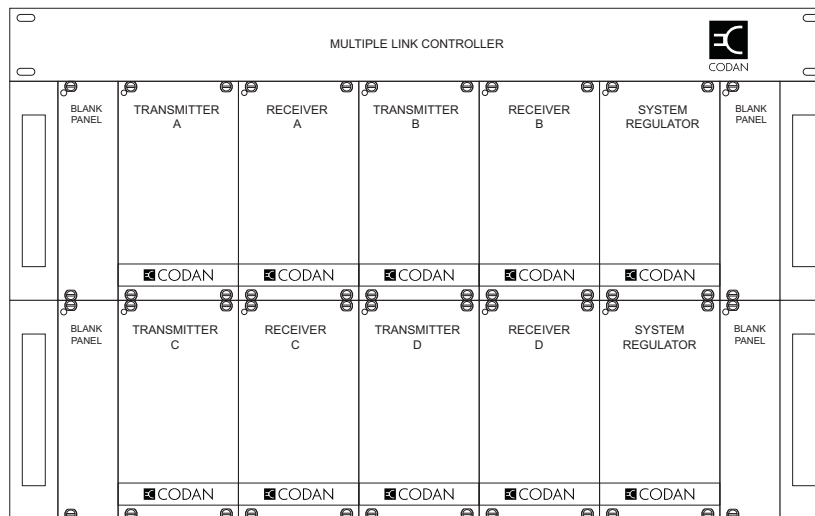


Figure 2: Dual Subracks for Multiple Link Configuration

43 Erie Street
Victoria, B.C.
Canada V8V 1P8

Toll Free Canada & U.S.A.
Phone: 1-800-664-4066
Fax: 1-877-750-0004

International
Phone: 250-382-8268
Fax: 250-382-6139

Internet
Email: LMRsales@codanradio.com
Web: www.codanradio.com

TN500 SR-39-1 Subrack

If a VHF or UHF power amplifier is installed, only one transmitter and receiver pair can be installed since the power amplifier takes up two slots, as shown in Figure 3.

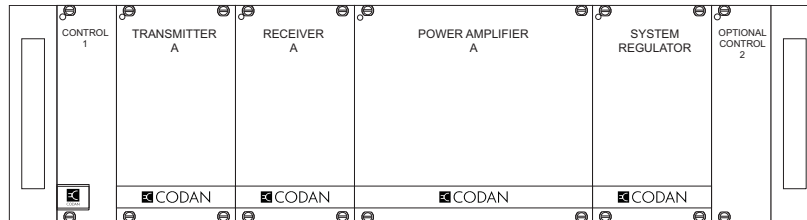


Figure 3: Subrack with Power Amplifier

If two transceivers are used with power amplifiers, the power amplifiers are normally installed in a second subrack as shown in Figure 4. This keeps all of the audio and control signal routing to a single subrack, simplifying the system. A second system regulator and the multiple link controller are not required for this configuration.

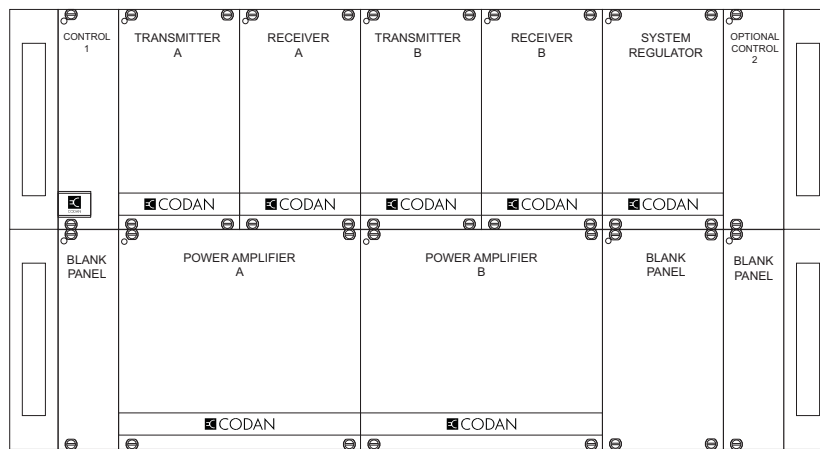


Figure 4: Dual Subracks with Two Power Amplifiers

The 96 pin auxiliary control connector, located on the back of the motherboard (facing rear of the subrack), has 96 pins and provides access to virtually all signal and power lines on the motherboard. Many repeater configurations can be implemented by interconnecting some of these lines through a mating 96 pin connector. Additionally, external equipment can also be connected to the repeater through the auxiliary control connector, allowing for more extensive radio control (i.e., DC remotes, tone remotes etc.). Note: The + and - DC lines from the auxiliary control connector are not fused. Use caution with these lines so that interconnect cables are not overloaded.

DB25 Connector to CI-RC-4M-G2

Connector J12 is a female DB25 connector which can be used for connecting audio, channel select and control signal lines to a CI-RC-4M-G2 (second generation) multiple link controller. When connecting to a CI-RC-4M-G2, a standard straight-through male-to-male DB25 cable can be used.

TN500 SR-39-1 Subrack

Power Input

The main power input (+10 to +17 Vdc; +13.8 Vdc nominal) connector is located at the back of the subrack, on the motherboard. There is an identical +9.5 Vdc power output connector on the motherboard that is used to power other Codan equipment at +9.5 Vdc (the CI-RC-4M-G2 controller, for example).

NOTE: Do not connect the main power input to the +9.5 Vdc power output connector, as a transient suppressor (over voltage protection) will short to ground to protect the equipment.

Reverse voltage protection and over voltage protection (transient suppressor) is provided at the main power input as well as the +9.5 Vdc line. The main power input is protected with a standard fast-blow 15 amp fuse. These components may require replacing if the power supply is not connected properly, or even after a power surge or a lightning strike. The two transient suppressors have different voltage ratings for the main power input and +9.5 Vdc lines. Figure 5 shows the subrack / motherboard rear view.

Antenna Relay Activation

The motherboard on the subrack contains a set of jumpers that are used to activate the optional antenna relays in the System Regulator module from the Transmitter PTT IN and PTT OUT signal lines.

JU36	TXA PTT OUT activates Relay A	JU37	TXA PTT IN activates Relay A
JU39	TXA PTT OUT activates Relay B	JU40	TXA PTT IN activates Relay B
JU42	TXB PTT OUT activates Relay A	JU43	TXB PTT IN activates Relay A
JU45	TXB PTT OUT activates Relay B	JU46	TXB PTT IN activates Relay B

Simplex Operation

The motherboard on the subrack contains a set of jumpers that are enabled when the radio system is operated in simplex mode (simplex base station or simplex links). The jumper connects the Transmitter PTT OUT signal line to the RX MUTE. This jumper will cause the receiver to mute when the transmitter is keyed.

JU38	TXA PTT OUT mutes RXA	JU41	TXA PTT OUT mutes RXB
JU44	TXB PTT OUT mutes RXA	JU47	TXB PTT OUT mutes RXB

DB25 Connector to DSP-223 and IP-223

Connector J10 is a female DB25 connector which can be used for basic base connections. When connected to a Telex DSP-223 or IP-223, a standard straight-through male-to-male DB25 cable can be used with some motherboard jumper changes. The IP-223 also requires that 2 pins on the DB25 (PTT COM - pin2 and MON COM - pin 16) are wired to ground for proper operation. The DB25 can also be jumpered for Balanced Audio direct to / from the receiver / transmitter or Auxiliary Audio (recommended) through the controller.

WARNING: JU108 must be configured correctly for DSP-223 or IP-223 or damage can occur.

JU104	A = RX A Bal O/P2 or B = AUX 1 AUD O/P2	JU107	A = RX A Bal O/P1 or B = AUX AUD O/P1
JU105	A = TX A Bal I/P2 or B = AUX 1 AUD I/P2	JU108	A = DSP-223 / +13.8 V or B = IP-223 / RX A COR
JU106	A = TX A Bal I/P1 or B = AUX 1 AUD I/P1	JU109	TX A SEC / CLR I/P (installed to enable TX A SEC / CLR I/P)

TN500 SR-39-1 Subrack

Channel and Bank Select

MT-4E radio modules are capable of 16 channel operation in 2 banks (32 channels total). The 16 channels are controlled via four CSEL signal lines connected to each receiver and transmitter module. The CSEL signal lines are set as either a 0 (0 Vdc) or a 1 (+9.5 Vdc).

JU48	TX A Channel select lines +9.5 V pullup enable	JU49	RX A Channel select lines +9.5 V pullup enable
JU50	TX A CSEL 0	JU51	TX A CSEL 1
JU52	TX A CSEL 2	JU53	TX A CSEL 3
JU54	TX A Bank select A = Bank A, B = Bank B	JU55	RX A CSEL 0
JU56	RX A CSEL 1	JU57	RX A CSEL 2
JU58	RX A CSEL 3	JU59	RX A Bank select A = Bank A, B = Bank B
JU60	TX B Channel select lines +9.5 V pullup enable	JU61	RX B Channel select lines +9.5 V pullup enable
JU62	TX B CSEL 0	JU63	TX B CSEL 1
JU64	TX B CSEL 2	JU65	TX B CSEL 3
JU66	TX B Bank select A = Bank A, B = Bank B	JU67	RX B CSEL 0
JU68	RX B CSEL 1	JU69	RX B CSEL 2
JU70	RX B CSEL 3	JU71	RX B Bank select A = Bank A, B = Bank B

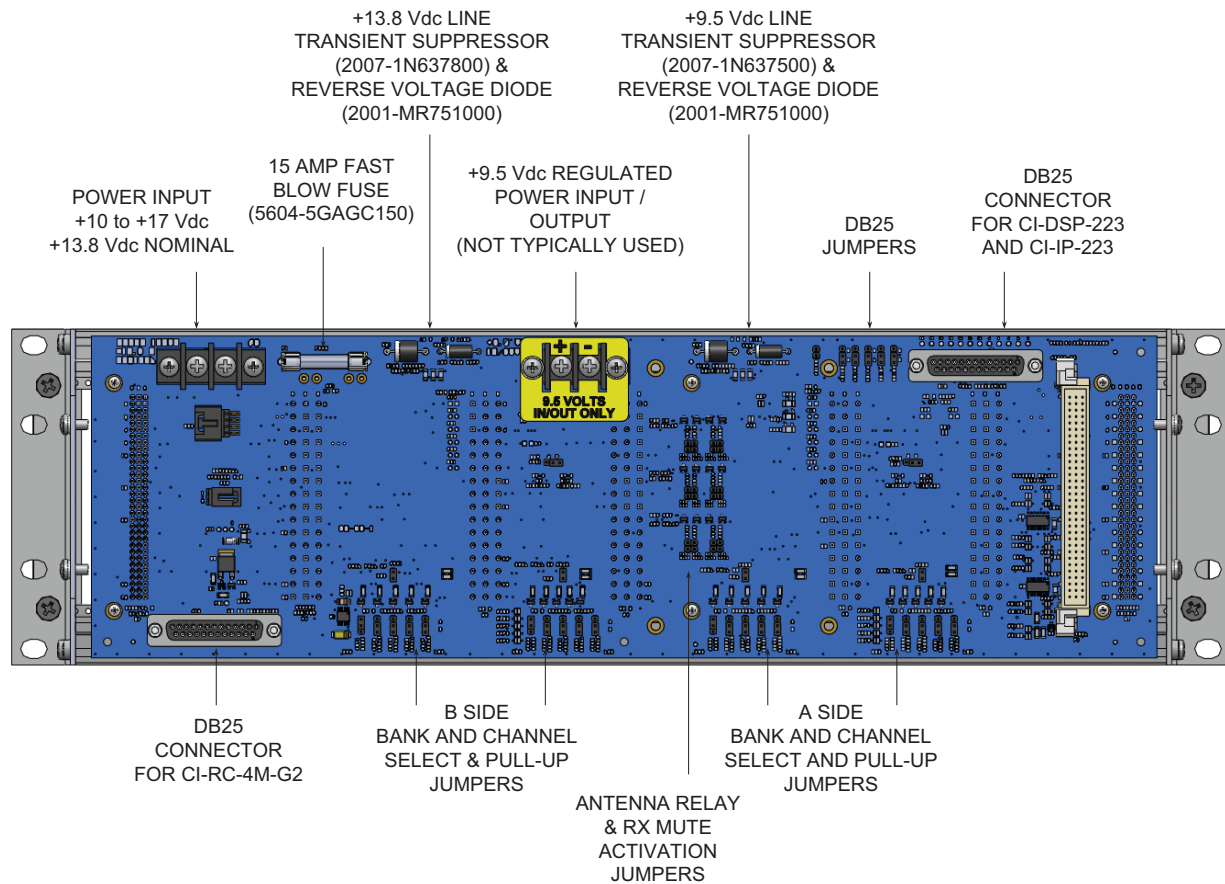


Figure 5: Rear View of Subrack

43 Erie Street
Victoria, B.C.
Canada V8V 1P8

Toll Free Canada & U.S.A.
Phone: 1-800-664-4066
Fax: 1-877-750-0004

International
Phone: 250-382-8268
Fax: 250-382-6139

Internet
Email: LMRsales@codanradio.com
Web: www.codanradio.com

TN520 SR-39-3 Multiple Receiver Subrack

The SR-39-3 subrack is designed to hold and interconnect the MT-3 and MT-4 series of receivers on one universal motherboard. The SR-39-3 subrack holds up to five receiver modules and one system regulator (the system regulator will require jumpers JU15 to JU24 installed for multiple receiver subrack compatibility) as shown in Figure 1.

The multiple receiver subrack is ideal for voting receivers or with the multiple transmitter subrack for multi-channel trunking systems.

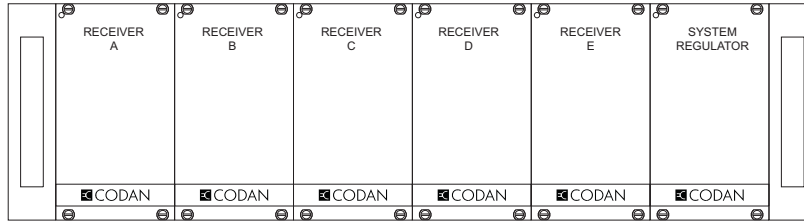


Figure 1: Multiple Receiver Subrack

The multiple receiver subrack does not interconnect the different receivers but brings control lines and audio out to connection points on the rear of the subrack. The external control connectors allow access to the following signals on each receiver:

Pin No.	Name	Function
1	RX CSEL 3	Receiver channel select line No. 3
2	RX CSEL 2	Receiver channel select line No. 2
3	RX CSEL 1	Receiver channel select line No. 1
4	RX CSEL 0	Receiver channel select line No. 0
5	RX COR RLY COM1	Receiver Carrier Operated Relay Common 1
6	RX RLY NC1/NO1	Receiver Relay Normally Open / Normally Closed
7	RX COR	Receiver Carrier Operated Relay output
8	RX DISC/FL/DE	Receiver Disc or Flat or De-emphasis audio output (MT-3) Receiver Disc or SM-3 Speaker audio output (MT-4E)
9	RX SQL OVER	Receiver squelch override input
10	RX SYN LOCK DET (Spare)	Receiver Spare I/O
11	RX PRIORITY COR	Receiver Priority COR output (MT-3) Receiver A/D Mode (MT-4E)
12	RX RSSI	Receiver Signal Strength Indicator
13	RX BAL O/P 2	Receiver balanced audio output, side 2
14	RX BAL O/P 1	Receiver balanced audio output, side 1
15	RX MUTE	Receiver mute input
16	GND	Circuit common

TN520 SR-39-3 Multiple Receiver Subrack

This Page Intentionally Left Blank

TN530 SR-39-4 Multiple Transmitter Subrack

The SR-39-4 subrack is designed to hold and interconnect the MT-3 and MT-4 series of transmitters on one universal motherboard. The SR-39-4 subrack holds up to five transmitter modules as shown in Figure 1. The SR-39-4 has a built in voltage regulator mounted behind the blank panel on the right side of the subrack.

The multiple transmitter subrack is ideal for multi-channel trunking systems with the multiple receiver subrack.

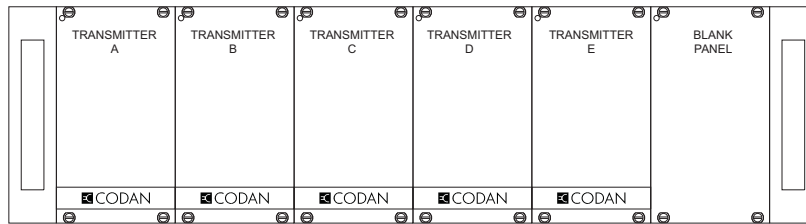


Figure 1: Multiple Transmitter Subrack

The multiple transmitter subrack does not interconnect the different transmitters but brings control lines and audio out to connection points on the rear of the subrack. The external control connectors allow access to the following signals on each transmitter:

Pin No.	Name	Function
1	TX CSEL 3	Transmitter channel select line No. 3
2	TX CSEL 2	Transmitter channel select line No. 2
3	TX CSEL 1	Transmitter channel select line No. 1
4	TX CSEL 0	Transmitter channel select line No. 0
5	TX MIC OUT	Transmitter microphone output
6	TX STANDBY	Transmitter Standby (MT-3) Transmitter Bank A / B Select input (MT-4E)
7	TX PTT	Transmitter Push To Talk input
8	TX BAL I/P 1	Transmitter balanced audio input, side 1
9	TX BAL I/P 2	Transmitter balanced audio input, side 2
10	TX SQL FLAT I/P	Transmitter Squelch flat audio input (MT-3 Only)
11	TX SQL DE-EMP	Transmitter Squelch De-emphasis input (MT-3) Transmitter SM-3 Speaker audio input (MT-4E)
12	TX SUBT I/P 1	Transmitter Subtone input 1
13	TX SUBT I/P 2	Transmitter Subtone input 2 (MT-3) Transmitter Secure / Clear input (MT-4E)
14	TX PTT OUT	Transmitter Push To Talk output
15	TX DIR MOD	Transmitter Direct Modulation input (MT-3) Transmitter A / D Mode Control input (MT-4E)
16	GND	Circuit common

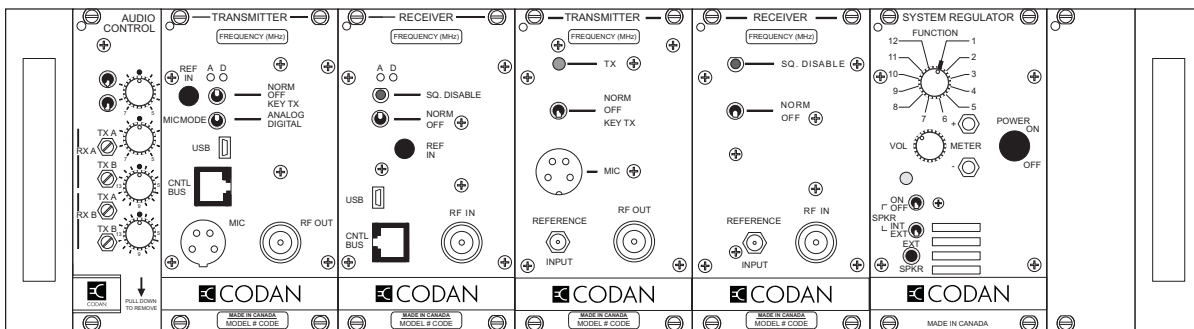
TN530 SR-39-4 Multiple Transmitter Subrack

This Page Intentionally Left Blank

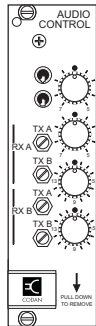
TN600 AC-3E Audio Control Card

The AC-3E audio control card is a plug-in module which provides audio routing, PTT routing, and muting control for MT-3 and MT-4 radio systems. The audio control card includes the following features:

- jumper selectable audio routing, PTT, and muting.
- two independently adjustable hang timers adjustable from 50 milliseconds to 10 seconds.
- sockets for optional CTCSS decoders and encoders.
- low power analog and CMOS control circuitry.
- maximum standby current of 30 mA.
- true balanced 600 Ω inputs and outputs for external equipment connection.
- optically isolated inputs and outputs for control by external equipment.
- suitable for Type 2 E&M signalling.



The AC-3E audio control card is fully configurable and can be used for all repeater and base station applications. The audio control card module circuitry consists of three main functional blocks:



- (1) The repeater control circuit, which allows all COR / PTT routing combinations for all repeaters.
- (2) Optional CTCSS modules that can be installed at the factory or in the field.
- (3) Audio routing circuitry for active level control and distribution of receiver to transmitter audio signals. The AC-3E is designed for applications where interface to external equipment is required. All audio and control inputs/outputs are isolated by transformers and opto-isolators on the AC-3E.

External Audio Input:	600 Ω, -25 dBm to 0 dBm adjustable
External Audio Output:	600 Ω, -20 dBm to +3 dBm adjustable
Internal Audio Input:	4.7 KΩ, -25 dBm to +3 dBm adjustable

The AC-3E audio control card includes four potentiometers on the front panel for adjusting internal audio levels. Optional frequency select rotary switches can also be mounted on the front panel of the audio control cards, giving easy access to 16 pre-programmed receiver and transmitter operating frequencies. Two switches are mounted on the front of the audio control cards that can be configured to control CTCSS on / off or repeat disable. Configuration of all switches on the audio control card is set up at the factory at the time of order.

43 Erie Street
Victoria, B.C.
Canada V8V 1P8

Toll Free Canada & U.S.A.
Phone: 1-800-664-4066
Fax: 1-877-750-0004

International
Phone: 250-382-8268
Fax: 250-382-6139

Internet
Email: LMRsales@codanradio.com
Web: www.codanradio.com

TN600 AC-3E Audio Control Card

Although the Audio Control Card can be configured to work in various configurations with add-in options and functionality, the three main functions of the AC-3E Audio Control Card are shown in Figures 1, 2 and 3:

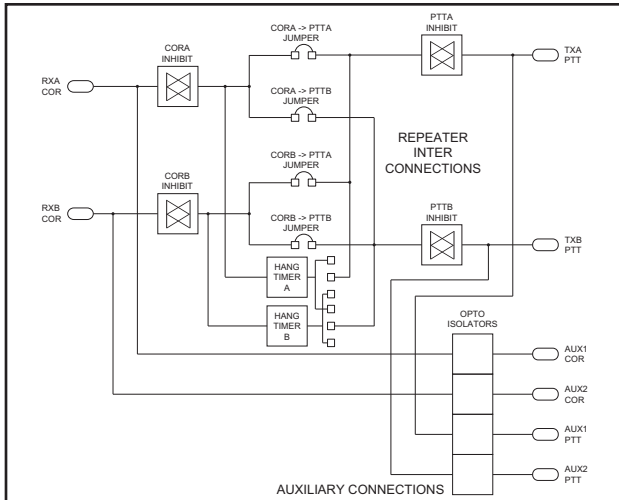


Figure 1: Repeater Control

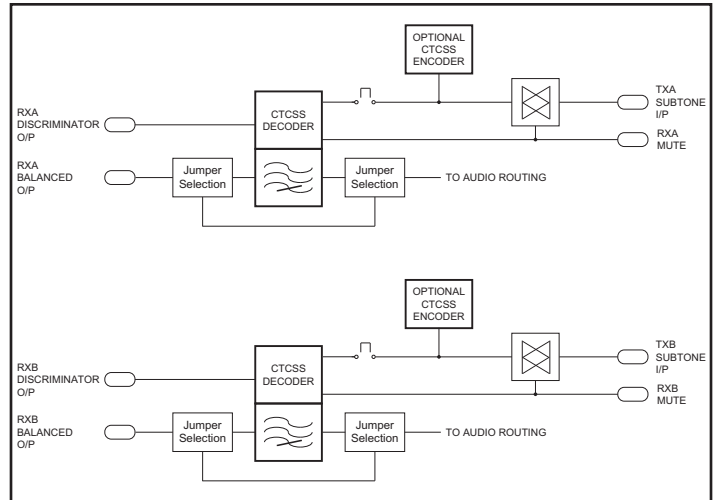


Figure 2: CTCSS Control

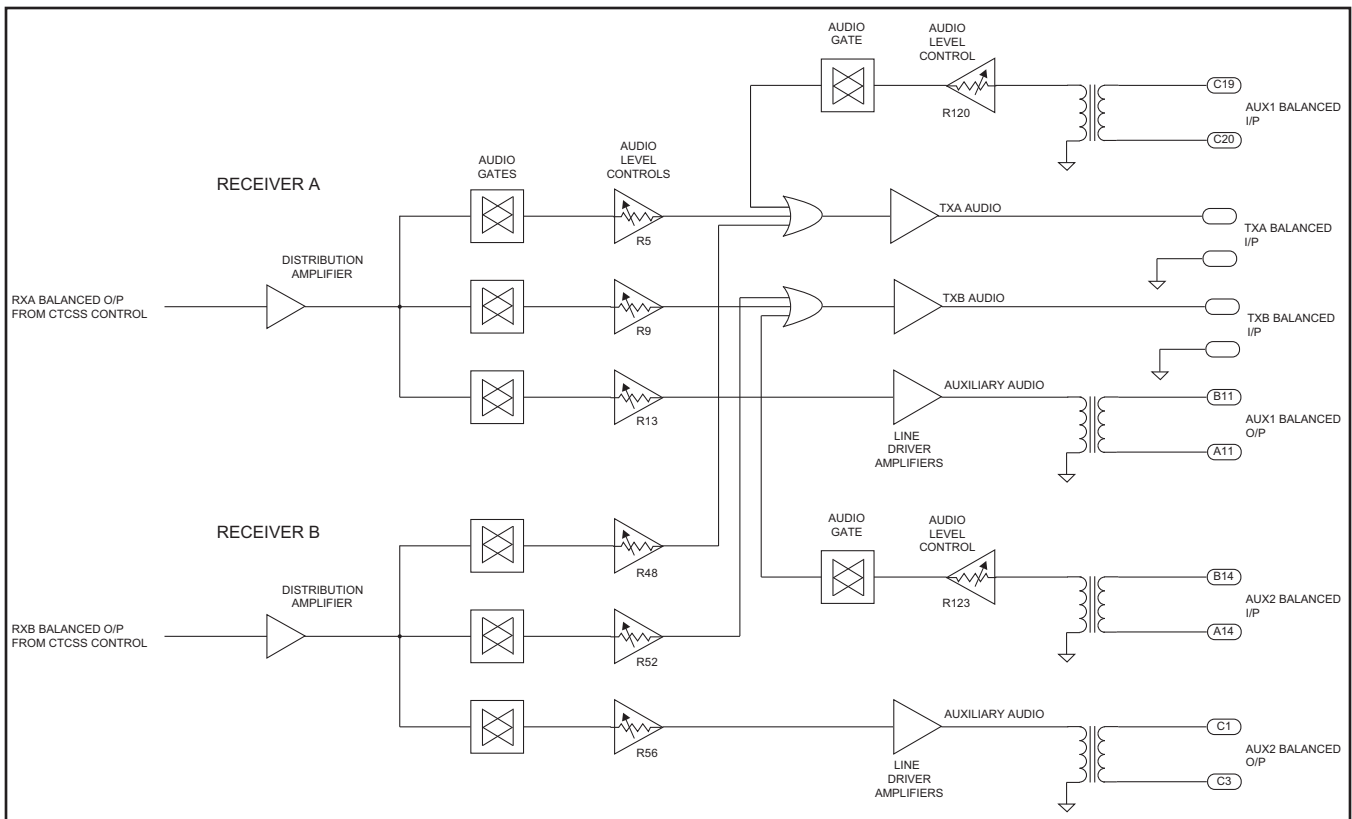


Figure 3: Audio Routing

43 Erie Street
Victoria, B.C.
Canada V8V 1P8

Toll Free Canada & U.S.A.
Phone: 1-800-664-4066
Fax: 1-877-750-0004

International
Phone: 250-382-8268
Fax: 250-382-6139

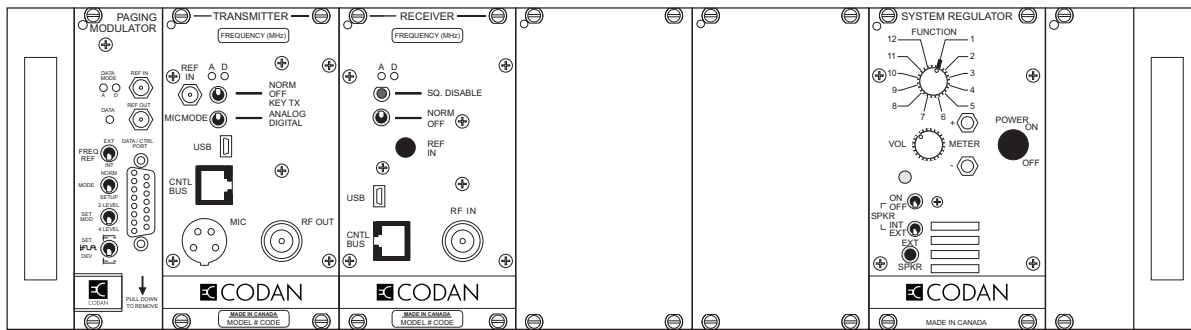
Internet
Email: LMRsales@codanradio.com
Web: www.codanradio.com

TN640 CI-PM-3 Paging Modulator

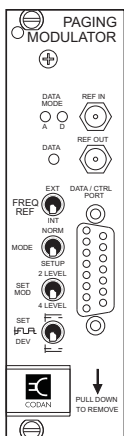
The Paging Modulator is a plug-in module which provides digital and/or analog paging capability, such as base station paging, remote paging or simulcast paging, for MT-3 and MT-4 radio systems. The CI-PM-3 is configured via the front panel switches and internal jumper settings.

The CI-PM-3 paging modulator supports both analog and digital paging formats, and can transmit POCSAG and other 2-level modulation schemes at transfer rates of 512, 1200 and 2400 baud. It can also be configured for use as a data repeater, whereby 2-level paging data is recovered, re-shaped and then re-transmitted to an additional repeater/paging transmitter.

The CI-PM-3 supports 4-level modulation formats at data transfer rates up to 6400 bps. Each of the four modulation deviation levels can be independently set, making the CI-PM-3 suitable for use in such pager signaling schemes as Motorola's FLEX™ paging protocol.



The CI-PM-3 uses an on-board frequency reference source consisting of a 10 MHz OCXO, with a frequency stability of ± 0.35 ppm from -30°C to $+60^{\circ}\text{C}$. For high stability applications (such as Simulcast), the CI-PM-3 paging modulator may be configured to use an external high stability reference source (i.e., rubidium, GPS or WWV) with a standard stability greater than or equal to 0.002 ppm, to discipline the on-board phase-locked loop OCXO oscillator.



The CI-PM-3 Paging Modulator includes the following standard features:

- low power analog and CMOS control circuitry (current draw of less than 250 mA).
- extended operating temperature range.
- jumper selectable repeater/paging transmitter configuration.
- on-board 10 MHz OCXO.
- front panel selection of PLL OCXO using external high stability frequency reference.
- jumper and line selectable analog/digital paging configuration.
- connection for optional CTCSS encoder/decoder.
- balanced $600\ \Omega$ / single-ended microphone input.
- selectable digital delay for simulcast operation.

FLEX™ is a trademark of Motorola, Inc.

43 Erie Street
Victoria, B.C.
Canada V8V 1P8

Toll Free Canada & U.S.A.
Phone: 1-800-664-4066
Fax: 1-877-750-0004

International
Phone: 250-382-8268
Fax: 250-382-6139

Internet
Email: LMRsales@codanradio.com
Web: www.codanradio.com

TN640 CI-PM-3 Paging Modulator

Installation:

Figure 1 shows a generic connection between the Codan subrack with A-PNL-AUX96-3 auxiliary connector to the Zetron Model 66 for analog and/or digital 2 level paging.

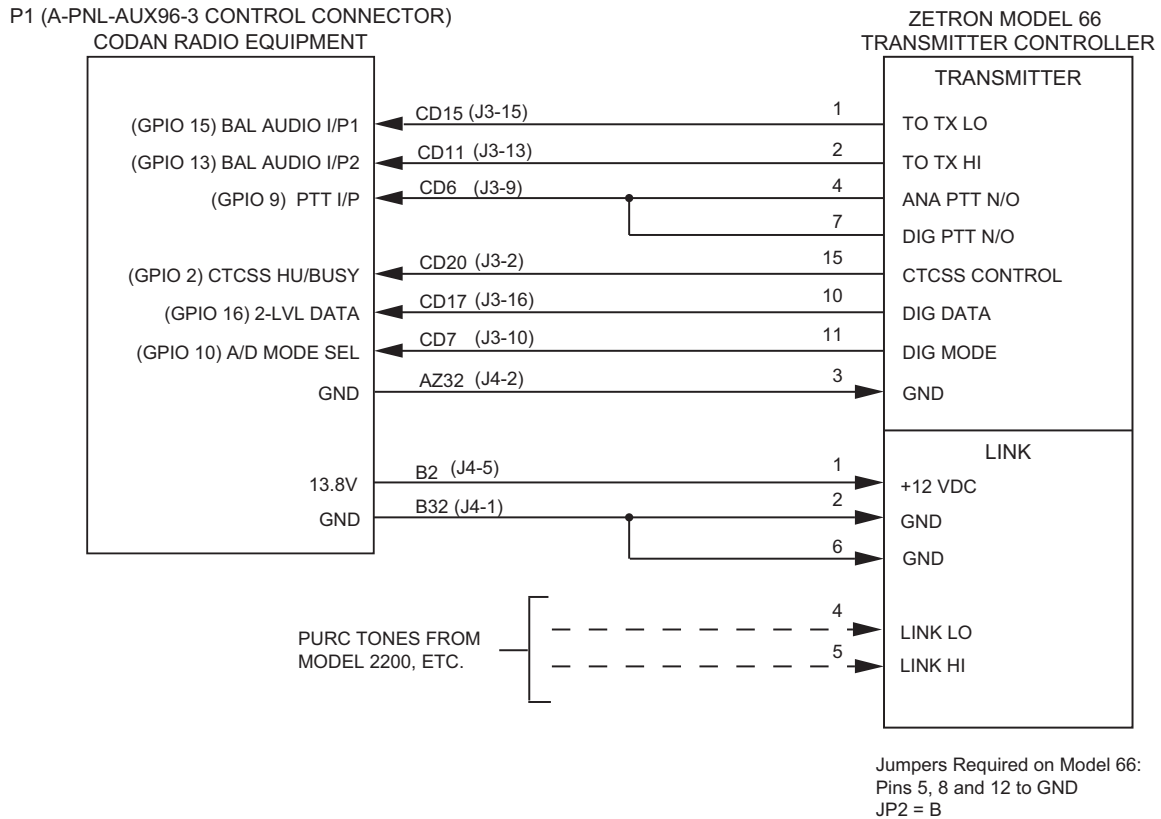


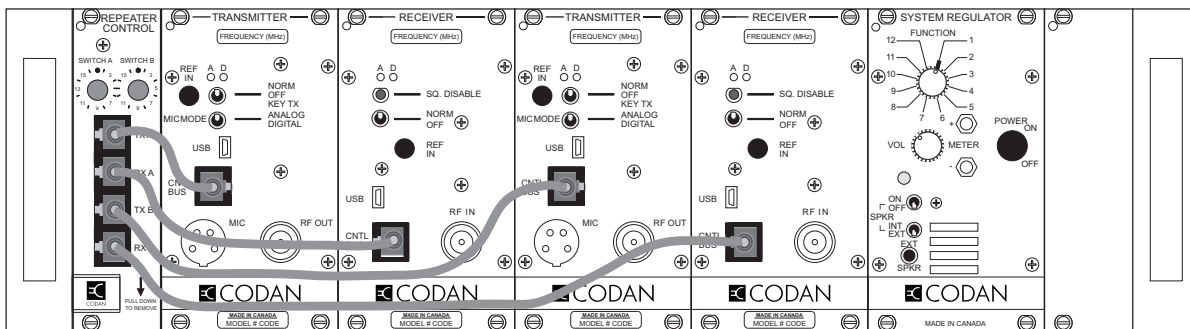
Figure 1: CI-PM-3 Connection Diagram

TN650 CI-RC-4L Repeater Control Card

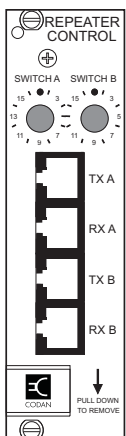
The CI-RC-4L repeater control card is a plug-in module which provides LVDS Serial Data routing, COR-PTT routing, and receiver priority settings for an MT-4 repeater radio system. The repeater control card includes the following features:

- jumper selectable LVDS Serial Data and COR-PTT routing (repeater configuration).
- receiver priority setting jumpers for certain configurations (where required).
- jumpers for disabling LVDS Serial Data and COR-PTT routing on simplex links.
- optional CTCSS interface board for 1 of 10 CTCSS tone decode selection (used for custom systems only).

The MT-4 receiver and transmitter modules all plug into the CI-RC-4L repeater controller via cables that plug in to the RJ45 jacks on the front panel of all the modules. The CI-RC-4L comes with four different cable lengths to plug into the four repeater receiver and repeater transmitter modules. If the system only uses two of the cables, the other cables can be kept for future system expansion or as spare cables.



Optional frequency select rotary switches can also be mounted on the front panel of the repeater control card, giving easy access to 16 pre-programmed receiver and transmitter operating frequencies. The CI-RC-4L has no external audio or serial data and is used only for controlling repeater configurations. The repeater control card module circuitry consists of three main jumper functions:



- (1) Repeater Configuration jumpers used to determine which receiver keys and routes data to which transmitter.
- (2) Receiver priority settings used to set receiver priority for certain repeater configurations.
- (3) Additional jumpers for the CTCSS interface board and other miscellaneous functions.

TN650 CI-RC-4L Repeater Control Card
Repeater Configuration Jumpers

Repeater Configuration	Keying	JU1	JU2	JU3
Repeater in A side of subrack	RXA -> TXA	Out	Out	Out
Repeater in B side of subrack	RXB -> TXB	In	Out	Out
Two independant repeaters in each side of subrack	RXA -> TXA RXB -> TXB	Out	In	Out
* Drop-Link on A side (Repeater in the A side with a link on the B side)	RXA -> TXA RXA -> TXB RXB -> TXA	In	In	Out
* Drop-Link on B side (Repeater in the B side with a link on the A side)	RXA -> TXB RXB -> TXA RXB -> TXB	Out	Out	In
Crossband System	RXA -> TXB RXB -> TXA	In	Out	In
Crossband System with Simplex frequencies on A or B side (First receiver has priority)	RXA -> TXB RXB -> TXA	In	In	In
* Drop-Repeating Link (Repeater in A or B side with repeating link in A or B side)	RXA -> TXA RXA -> TXB RXB -> TXA RXB -> TXB	Out	In	In

Receiver Priority Jumper Settings

These jumpers are only used for the Drop-Link configurations noted with an * above. For Drop-Links with Simplex links, set the receiver priority to the local repeater receiver.

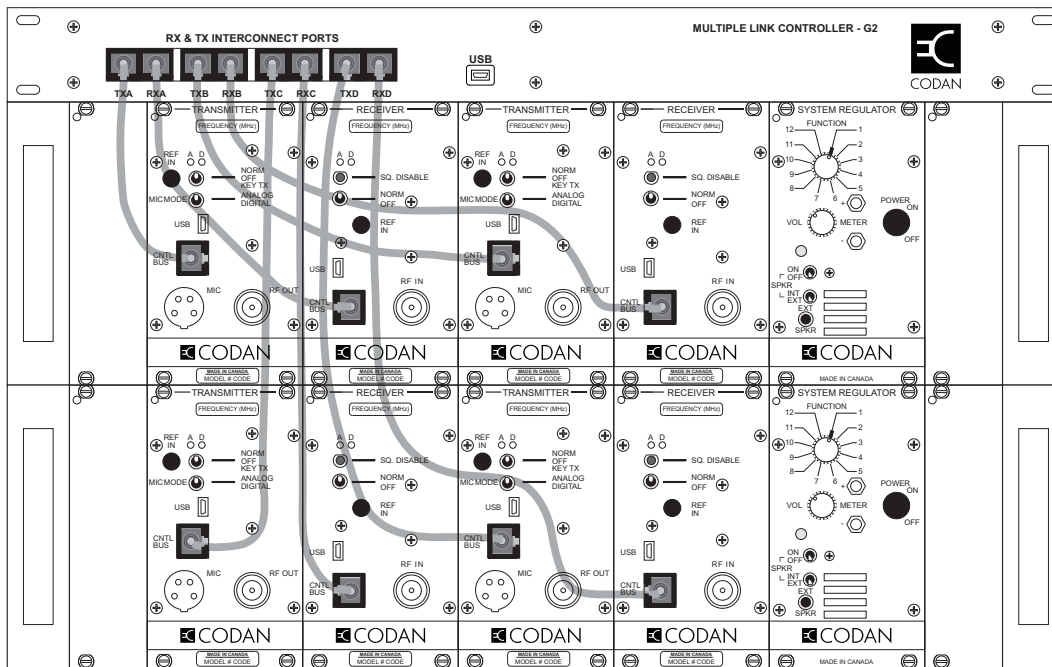
Receiver Priority	JU9	JU10	JU11
First receiver active has priority	Out	Out	Out
RXA priority	In	Out	Out
RXB priority	Out	In	Out

TN652 CI-RC-4M-G2 Multiple Link Controller

The CI-RC-4M-G2 Multiple Link Controller provides control capability for up to four receiver / transmitter pairs in an MT-4E repeater radio system. The CI-RC-4M-G2 controller provides the following features:

- interconnection (LVDS Serial Data routing, COR-PTT routing, Audio routing) of up to four receiver and four transmitter modules in any configuration (repeater, repeater with links, crossband systems, etc.).
- four-way analog audio bridge allowing analog to digital and digital to analog conversions with up to four pairs of radios (with adjustable audio levels).
- multiple CTCSS tones and NAC codes may be selected to operate each connection between receivers and transmitters (up to seven CTCSS/NAC for each link).
- DTMF control of receiver to transmitter links.
- setting of receiver priorities.
- transmitter channel switching based on received CTCSS or NAC.
- auxiliary E&M connection.
- acknowledge tones for each transmitter on DTMF disable / enable.
- custom jumperable Repeat Disable line for controlling analog bridging (links) and E&M connections.
- current draw of 8 mA to 72 mA dependant on system configuration (17 mA to 27 mA without audio bridging).
- 2 independent general purpose outputs that can be controlled by NAC, CTCSS or DTMF (open collector 750 mA / 30 Vdc max).

The MT-4E receiver and transmitter modules all plug into the CI-RC-4M-G2 repeater controller via cables that plug into the RJ45 jacks on the front panel of all the modules. The CI-RC-4M-G2 comes with eight different cable lengths to plug into the eight repeater receiver and repeater transmitter modules. If the system only uses some of the cables, the other cables can be kept for future system expansion or as spare cables. The CI-RC-4M-G2 is 19" rack mountable in 1 RU of rack space.



43 Erie Street
Victoria, B.C.
Canada V8V 1P8

Toll Free Canada & U.S.A.
Phone: 1-800-664-4066
Fax: 1-877-750-0004

International
Phone: 250-382-8268
Fax: 250-382-6139

Internet
Email: LMRsales@codanradio.com
Web: www.codanradio.com

TN652 CI-RC-4M-G2 Multiple Link Controller

Installation:

In addition to the RJ45 interconnect cables on the front panel, the +9.5 Vdc power and ground must be connected on the back panel. Figure 1 shows a diagram of the back panel of the CI-RC-4M-G2.

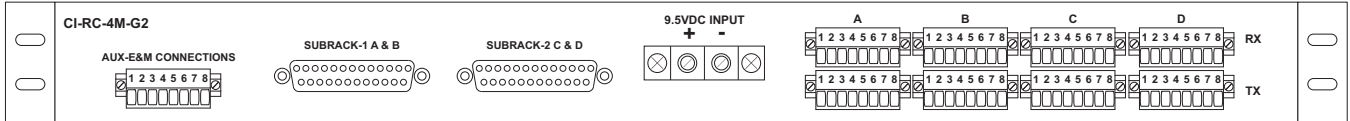


Figure 1: CI-RC-4M-G2 Back Panel

A female DB25 connector on the back of the subrack (J12) can be used for connecting to the CI-RC-4M-G2 using a standard straight-through male-to-male DB25 cable. The A-PNL-AUX96-3 auxiliary connector can also be used to connect to the CI-RC-4M-G2, as shown in Figure 2. The information in brackets is the function that uses that particular connection. For example, if you are using CTCSS tones, the Rx Disc O/P must be connected. The diagram only shows connections for Receiver and Transmitter A.

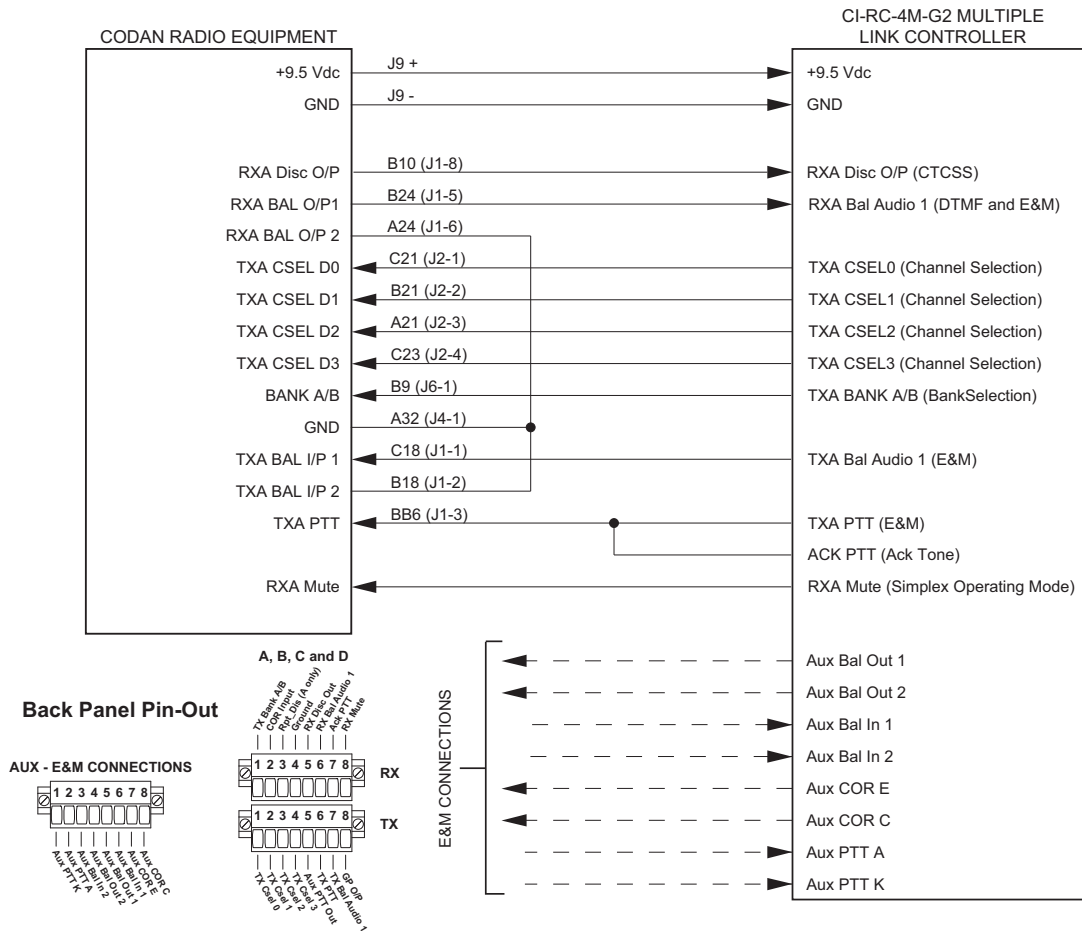


Figure 2: CI-RC-4M-G2 Connection Diagram

TN652 CI-RC-4M-G2 Multiple Link Controller

Multiple Link Controller Programming:

The CI-RC-4M-G2 multiple link controller is software programmable using the MLCS (Multiple Link Controller Software). The MLCS allows flexible programming options for the radio system. A type A to 5 pin mini-type B USB cable is used to connect the USB port of the computer to the USB port on the front panel of the controller. The System Settings and Receiver / Transmitter Links windows are shown in Figure 3.

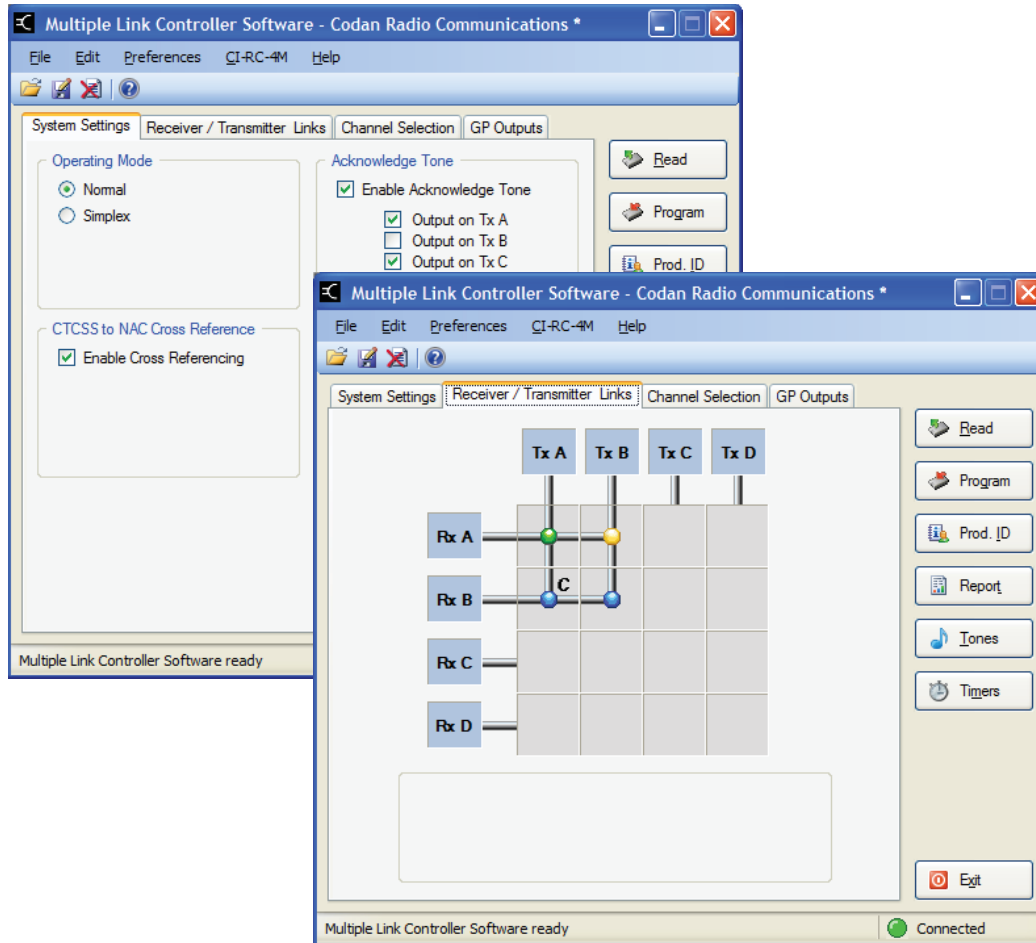


Figure 3: System Settings and Receiver / Transmitter Links

The Receiver / Transmitter Links window allows for a wide variety of complex repeater configurations using a link configuration grid. The grid uses color coding to indicate different connection settings.

TN652 CI-RC-4M-G2 Multiple Link Controller

Each link on the grid can be programmed separately for a different configuration. Three different link configurations are shown in Figure 4: COR Controlled Link, DTMF Controlled Link and a Conditional Link (with both CTCSS and NAC conditions, as well as Channel Selection capability).

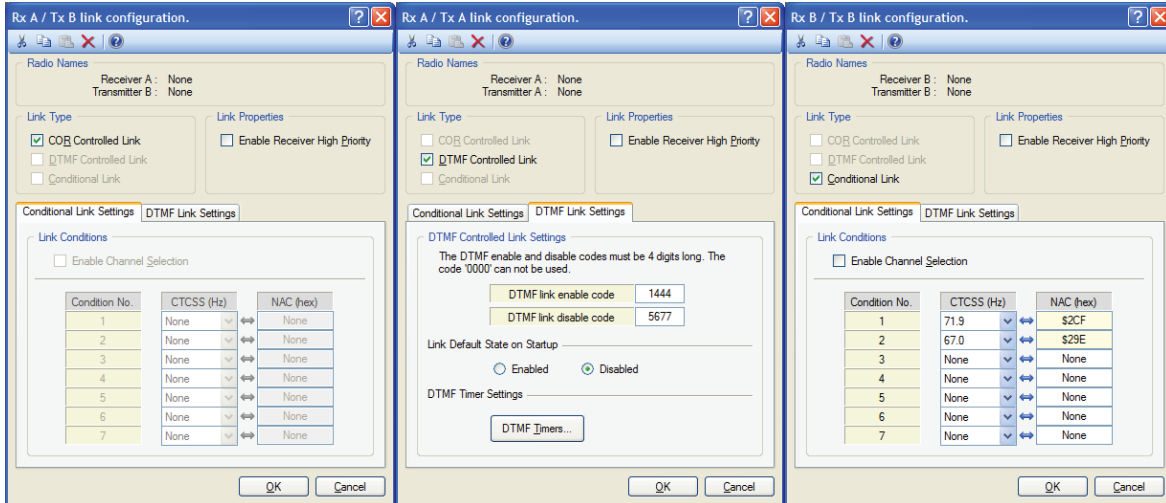


Figure 4: Link Configurations

Figure 5 shows the CTCSS selection window (CTCSS tones need to be selected globally for the CI-RC-4M-G2), Channel Selection window and General Purpose Output window.

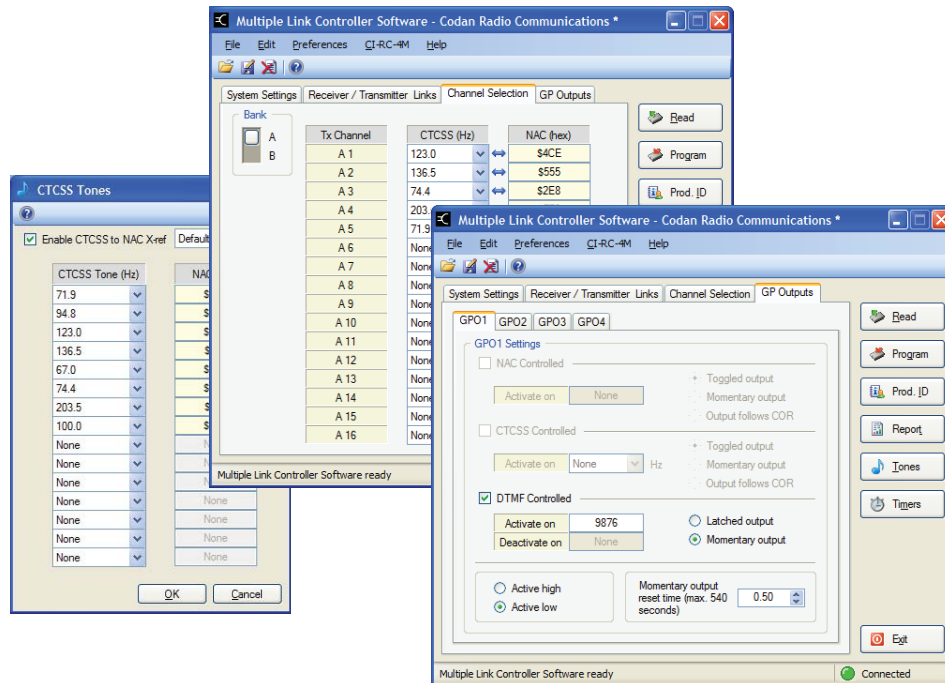


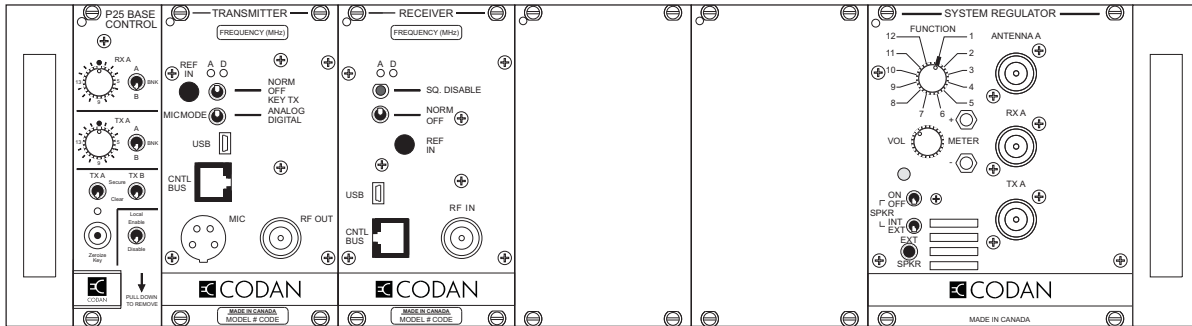
Figure 5: CTCSS Tones, Channel Select and General Purpose Outputs

TN655 CI-BC-4E Base Control Card

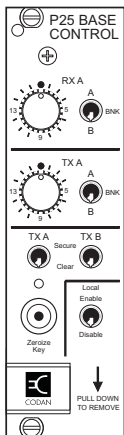
The CI-BC-4E base control card is a plug-in module which provides audio routing, COR and PTT routing and front panel control for an MT-4 base station radio system. The base control card includes the following features:

- jumper selectable audio routing, PTT, and muting.
- low power analog and CMOS control circuitry.
- true balanced 600 Ω inputs and outputs for external equipment connection.
- optically isolated inputs and outputs for control by external equipment.
- front panel control of channel and bank select for receiver and transmitter.
- front panel selection of clear / secure (encrypted) operation and clear keys operation.
- front panel selection of local or remote control of base station functions.
- suitable for Type 2 E&M signalling.

The MT-4 receiver and transmitter modules all connect to the CI-BC-4E base control card via the back panel motherboard. There is no front panel RJ45 connection between the MT-4 receivers, transmitters and base control card.



The CI-BC-4E base control card module circuitry consists of three main functional blocks:



- (1) The repeater control circuit allows all the common COR / PTT routing combinations for dual base-repeater systems.
- (2) Front panel interface allows for user control of transmitter and receiver functions, including encryption operation.
- (3) Audio routing circuitry is for the active level control and distribution of receiver and transmitter audio signals. The CI-BC-4E is designed for applications where interface to external equipment is required. All audio and control inputs/outputs are isolated by transformers and opto-isolators on the CI-BC-4E.

CI-BC-4E External Audio Input:	600 Ω, -25 dBm to 0 dBm adjustable
CI-BC-4E External Audio Output:	600 Ω, -20 dBm to +3 dBm adjustable
CI-BC-4E Internal Audio Input:	4.7 KΩ, -25 dBm to +3 dBm adjustable

43 Erie Street
Victoria, B.C.
Canada V8V 1P8

Toll Free Canada & U.S.A.
Phone: 1-800-664-4066
Fax: 1-877-750-0004

International
Phone: 250-382-8268
Fax: 250-382-6139

Internet
Email: LMRsales@codanradio.com
Web: www.codanradio.com

TN655 CI-BC-4E Base Control Card

The three main functions of the CI-BC-4E Base Control Card are shown in Figures 1, 2 and 3:

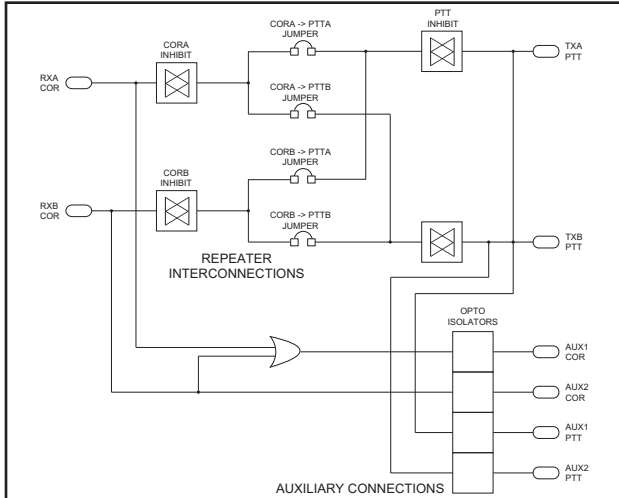


Figure 1: Repeater Control

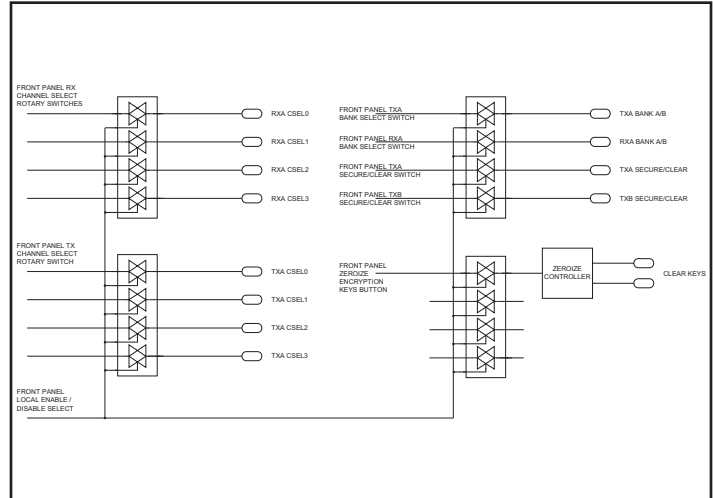


Figure 2: Front Panel Interface

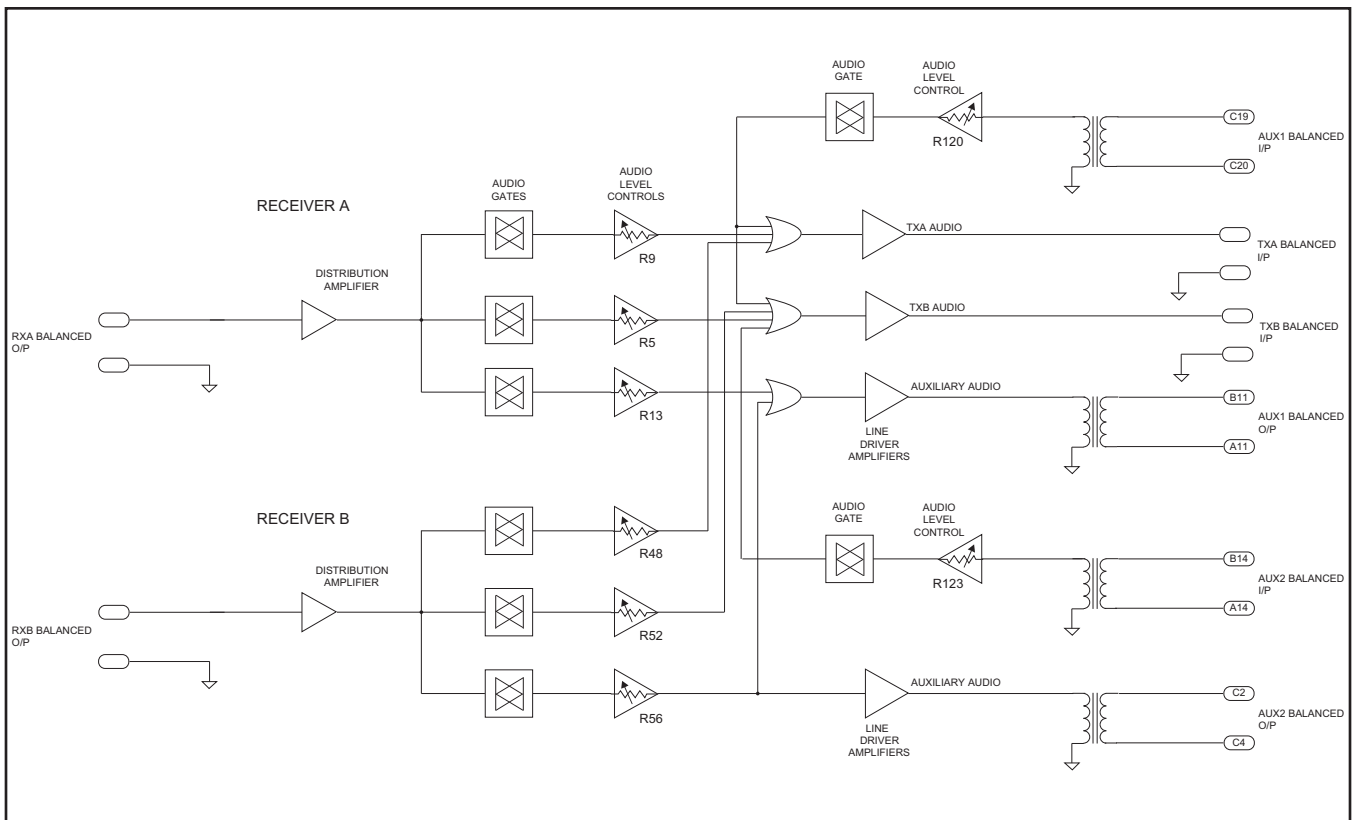


Figure 3: Audio Routing

43 Erie Street
Victoria, B.C.
Canada V8V 1P8

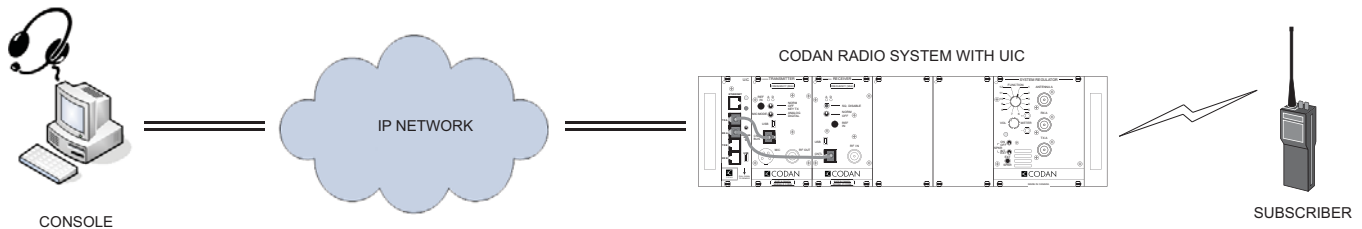
Toll Free Canada & U.S.A.
Phone: 1-800-664-4066
Fax: 1-877-750-0004

International
Phone: 250-382-8268
Fax: 250-382-6139

Internet
Email: LMRsales@codanradio.com
Web: www.codanradio.com

TN660 UIC-4 Universal Interface Card

The UIC-4-00 Universal Interface Card (UIC) is a plug-in module which provides an IP-based Ethernet network connection between MT-4 radio systems and other Land Mobile Radio (LMR) subsystems (typically consoles).



The UIC is programmable to support two different interface protocols via its network connection. The UIC supports both the TIA P25 Digital Fixed Station Interface (DFSI) standard and a Codan proprietary interface. The DFSI is an optional feature on the UIC and must be purchased. The UIC controls and monitors radio modules installed only in the A-side (left) of the subrack.

TIA P25 DFSI Operation

The UIC supports the DFSI as published in the P25 standard document TIA-102.BAHA. The UIC provides a fully end-to-end digital link between consoles and subscriber units and supports analog-mode calls as well as P25 calls. The UIC transports digital P25 audio data packets (IMBE™) between the console and the transmitter and receiver radio modules without any conversion to or from baseband audio. The UIC uses Codan LVDS serial data to transport digital information between the UIC and the receiver and transmitter modules. This preserves a fully end-to-end digital link, including audio encryption. Analog voice is carried via the DFSI as digitized u-law pulse-code modulation (PCM) audio data.

Codan Proprietary Operation

The Codan proprietary interface (DE-UIC) consists of separate logical connections for control and audio data. Control messages are transported via TCP/IP and audio data is transported via UDP packets. The UIC converts PCM audio data (programmable as linear or u-law encoding), received from the console into baseband audio before sending it to the transmitter. It also converts baseband audio from the receiver into PCM digital audio data before sending it to the console. Since the audio connections between the UIC and the transmitter and receiver radio modules are baseband only, a fully end-to-end digital link (including encryption from the console) is not possible using this interface.

Console Controlled / Software Programmable Features

Some of the UIC functions (eg. call start/end, channel selection, etc.) are dynamically controlled by the console. The console that is used in a system with the UIC may not implement or provide access to all of the functions. See the console's documentation for more information on which UIC features are accessible from the console.

Other UIC functions (eg. IP address programming, interface mode selection, etc.) are controlled by static programmable configuration settings. These settings can be viewed and modified using the UIC Configuration Software.

43 Erie Street
Victoria, B.C.
Canada V8V 1P8

Toll Free Canada & U.S.A.
Phone: 1-800-664-4066
Fax: 1-877-750-0004

International
Phone: 250-382-8268
Fax: 250-382-6139

Internet
Email: LMRsales@codanradio.com
Web: www.codanradio.com

TN660 UIC-4 Universal Interface Card

The UIC supports all of the following features:

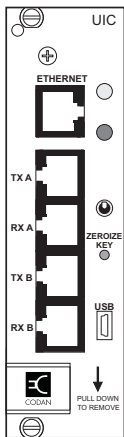
- Channel and Bank control of receiver and transmitter modules (2 banks of 16 channels each).
- Detect the mode (analog or P25) of an inbound call on the receiver and report to the console.
- Receiver squelch selection (muted or unsquelched) controlled by the console.
- Monitors the states of the transmitter's forward and reverse alarm signals and report to the console.
- Clear the encryption keys from all encryption-equipped radio modules through the UIC's front panel Zeroize Key push button or from the console.
- Control and monitoring of 8 digital general purpose input and output (GPIO) signals from the console. The 4 inputs are 10 mA max., 0 to +1 Vdc low / +2 to +13.8 Vdc high. The 4 outputs are 20 mA max., 0 Vdc low / +5 Vdc high.
- Control and monitoring of 8 analog GPIOs for use with external equipment. The 4 inputs are 0 to +3.3 Vdc, 3 kΩ impedance. The 4 outputs are 20 mA max., 0 to +3.3 Vdc.
- Monitoring power supply voltage levels and reporting to the console.
- Programmable simplex mode operation.
- Local repeating under the control of the console, or automatically when the UIC is not connected to a console.
- Current draw of 128 mA maximum.

The DFSI also supports the following features:

- Audio Reception and Transmission using IMBE™ (P25) or u-law PCM (analog).
- Passes all received P25 data to the console (NAC, TGID, MFID, ALGID, KID, etc.).
- Full end-to-end digital encryption if supported by the console and subscribers.
- Outbound audio buffering when transmitting P25 mode calls, with a programmable buffer length (200 ms max.).

The DE-UIC proprietary interface also supports the following features:

- Audio Reception and Transmission using linear or u-law PCM (analog or P25).
- Passes received NAC and Link Control Word P25 data to the console.
- Control from the console of the encrypted state (secure / clear) of outbound calls on the transmitter. Requires encryption-equipped MT-4E transmitters. Console to UIC data is NOT encrypted.



Console Systems

The UIC will interface with the following:

DFSI (P25)	DE-UIC (Codan proprietary)
Avtec Scout	Avtec Scout
Catalyst IP FSI Gateway	CalAmp IPIO
Moducom UltraCom IP	Catalyst IP 25D
Bosch / Telex C-Soft (P25 version)	Pantel InterTalk
Zetron Acom	Twisted Pair WAVE

43 Erie Street
Victoria, B.C.
Canada V8V 1P8

Toll Free Canada & U.S.A.
Phone: 1-800-664-4066
Fax: 1-877-750-0004

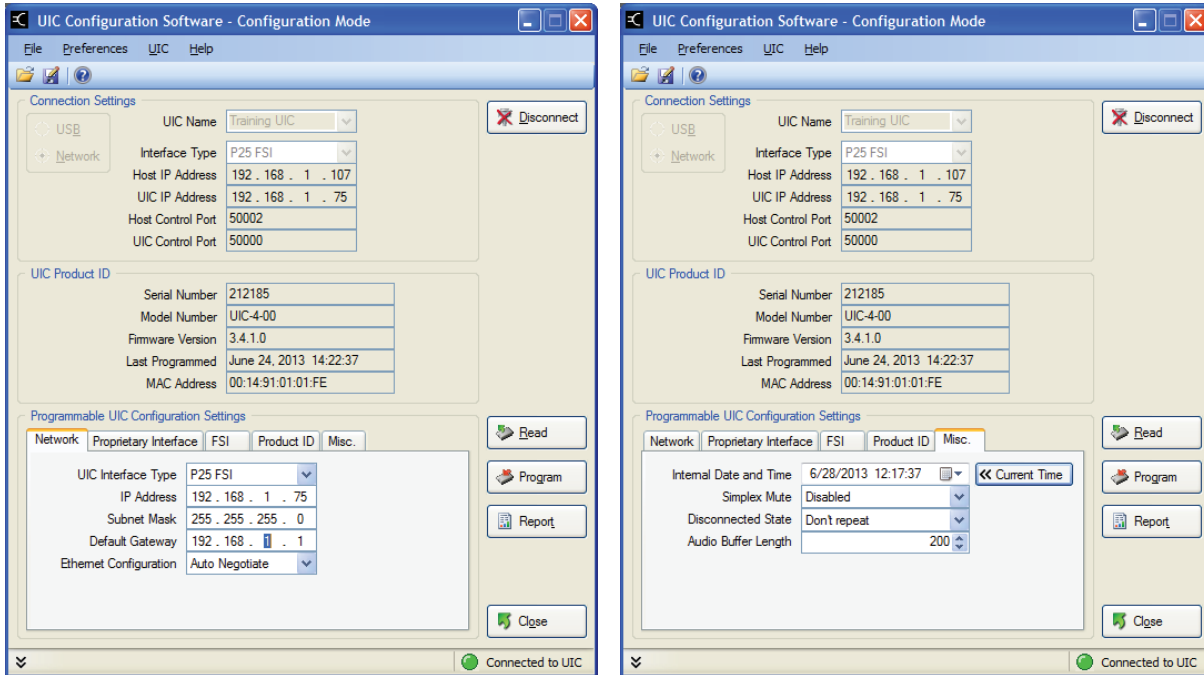
International
Phone: 250-382-8268
Fax: 250-382-6139

Internet
Email: LMRsales@codanradio.com
Web: www.codanradio.com

TN660 UIC-4 Universal Interface Card

UIC Configuration Software

The UIC Configuration Software is used to read and to modify various static configuration settings in the UIC. The application can be used to configure the UIC locally by connecting to it via its USB port, or remotely by connecting via Ethernet (using either the DE-UIC or DFSI interface).



UIC MAC Address

The UIC has a factory-assigned unique Ethernet MAC address that cannot be modified. This unique address is stored in non-volatile memory and is not affected by changes to any of the UIC's configuration settings.

Part Numbers

UIC-4-00	Universal Interface Card
APP-UIC-4-01	UIC Configuration Software (available for free on the Codan LMR website)
APP-UIC-4-02	Firmware for DFSI Operation

IMBE™ is a trademark of Digital Voice Systems, Inc.

43 Erie Street
Victoria, B.C.
Canada V8V 1P8

Toll Free Canada & U.S.A.
Phone: 1-800-664-4066
Fax: 1-877-750-0004

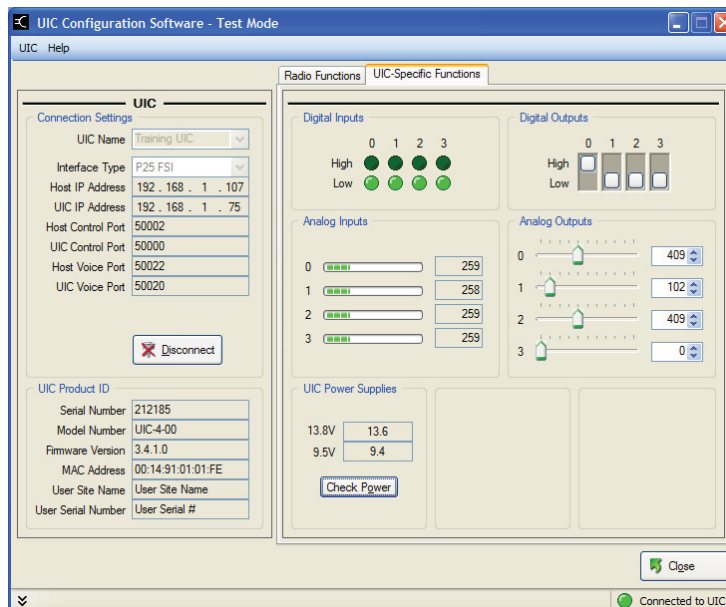
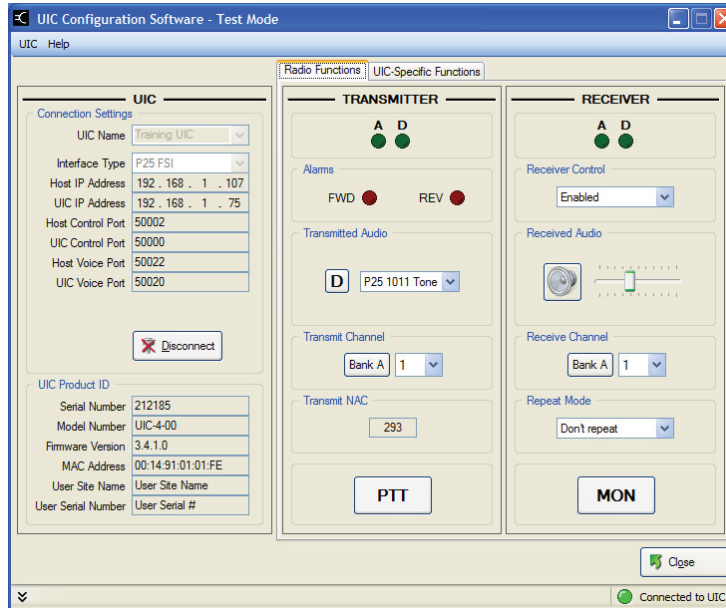
International
Phone: 250-382-8268
Fax: 250-382-6139

Internet
Email: LMRsales@codanradio.com
Web: www.codanradio.com

TN660 UIC-4 Universal Interface Card

Radio Functions and General purpose Inputs / Outputs

The UIC Configuration Software can also be used to test Radio Functions and General Purpose Inputs / Outputs when connected via Ethernet.



TN710 ET-3 Transportable Radio System Case

The ET-3 transportable radio system case is a rugged, waterproof aluminum case. Any standard 19" Codan subrack can be mounted inside for repeater, crossband or base configurations.



The ET-3 case includes the following:

- 19" internal mounting frame for subrack and duplexers.
- smooth tamperproof and lockable latches.
- spring retracted stainless steel handles.
- pressure relief valve.
- pressure sealed RF and power inputs.
- metal cover on lid for magnetic mount antennas.
- optional internal AC to DC power supply.

The transportable radio case is 21" (53.3 cm) wide, 11" (27.9 cm) high and 15" (38.1 cm) deep, and weighs 35 lbs. (15.88 kg) with typical radio package installed (10 lbs. or 4.54 kg empty).

Frequency band	RF Power Output	Internal duplexer frequency separation
AM	1.0 - 3.0 Watts	No duplexer available
Lowband VHF	0.5 - 3.0 Watts	No duplexer available
Highband VHF	0.5 - 8.0 or 30 Watts	≥ 2.0 MHz or ≥ 4.5 MHz separation
400 MHz UHF	0.5 - 8.0 or 30 Watts	≥ 5.0 MHz separation
700 MHz UHF	0.5 - 3.0 Watts	≥ 30 MHz separation
800 MHz UHF	0.5 - 3.0 Watts	≥ 45 MHz separation
900 MHz UHF	0.5 - 3.0 Watts	≥ 24 MHz or ≥ 39 MHz separation

There are several different versions of the ET-3 case:

- ET-3-03-00 Orange Transportable Case (Standard).
- ET-3-03-05 Black Transportable Case (Standard).

43 Erie Street
Victoria, B.C.
Canada V8V 1P8

Toll Free Canada & U.S.A.
Phone: 1-800-664-4066
Fax: 1-877-750-0004

International
Phone: 250-382-8268
Fax: 250-382-6139

Internet
Email: LMRsales@codanradio.com
Web: www.codanradio.com

TN710 ET-3 Transportable Radio System Case

This Page Intentionally Left Blank

TN720 ET-4 Transportable Radio System Case

The ET-4 transportable radio system case is a compact watertight polyethylene case. Any standard 19" Codan subrack can be mounted inside for repeater, crossband or base configurations.



The ET-4 case includes the following:

- 19" internal mounting frame with 9 RU of rack space for equipment.
- soft grip handles, in-line wheels, press and pull latches and a telescoping handle.
- interface connectors for RF and power inputs (optional Ethernet RJ45 connector available).

The ET-4 transportable radio system typically holds:

- Subrack (3 RU).
- Duplexer (2RU).
- PSA-12-15-RB-20 Power Module that includes a 6 W speaker, AC-DC (110/220 Vac to 12 Vdc) power converter and battery trickle charger for the internal 10.5 Ah Lead Acid 12 Vdc Gel Cell battery (2 RU).
- ET-4-A-ACC-BOX Accessory Storage Box case for tools, cables, microphone, etc. (2RU).

TN720 ET-4 Transportable Radio System Case

The transportable radio case is 24.6" (62.5 cm) wide, 11.7" (29.7 cm) high and 19.7" (50.0 cm) deep, and weighs approximately 50 lbs. (22.68 kg) with typical radio package installed. The maximum depth for equipment from the rack to the bottom of the case is 8.25" (20.96 cm).

Frequency band	RF Power Output	Internal duplexer frequency separation
AM	1.0 - 3.0 Watts	No duplexer available
Lowband VHF	0.5 - 3.0 Watts	No duplexer available
Highband VHF	0.5 - 8.0 or 30 Watts	≥ 2.0 MHz or ≥ 4.5 MHz separation
400 MHz UHF	0.5 - 8.0 or 30 Watts	≥ 5.0 MHz separation
700 MHz UHF	0.5 - 3.0 Watts	≥ 30 MHz separation
800 MHz UHF	0.5 - 3.0 Watts	≥ 45 MHz separation
900 MHz UHF	0.5 - 3.0 Watts	≥ 24 MHz or ≥ 39 MHz separation

There are several different versions of the ET-4 case:

ET-4-A09-00	Black Polyethylene Transportable Case Only.
ET-4-A09-02	Black Polyethylene Transportable Case with Power Module and Accessory Storage Box.
ET-4-A09-10	Yellow Polyethylene Transportable Case Only.
ET-4-A09-12	Yellow Polyethylene Transportable Case with Power Module and Accessory Storage Box.

TN730 ET-5 Transportable Tactical Radio System

The ET-5 transportable tactical radio system is mounted in a compact watertight polyethylene case. Any Codan MT-4E receiver and transmitter can be mounted inside for repeater configurations. The ET-5 supports analog and transparent P25 digital (clear or secure) repeat capability.



The ET-5 includes the following:

- internal mounting frame for MT-4E receiver and transmitter.
- soft grip handle and press and pull latches.
- interface connectors for RF and power inputs.
- LED indicators for receive, transmit and power indication.
- internal duplexer mounting capability.
- USB type A to right angled 5 pin mini-type B programming cable (CBLC44-20904200)
- two switches to control the power input configuration (internal / external).

The ET-5 transportable tactical radio system can be powered by:

- a standard alkaline D-Cell battery pack (holding 16 batteries).
- a 10.5 Ah rechargeable lead acid battery.
- an external 12 Vdc power source (connector is located on the outside of the case).

TN730 ET-5 Transportable Tactical Radio System

The transportable radio case is 14.2" (36.1 cm) wide, 11.4" (29.0 cm) high and 6.5" (16.5 cm) deep, and weighs 20 lbs. (9.07 kg) fully equipped with batteries installed.

Frequency band	RF Power Output	Internal duplexer frequency separation
Highband VHF	0.5 - 6.0 Watts	≥ 4.5 MHz separation
400 MHz UHF	0.5 - 6.0 Watts	≥ 5.0 MHz separation
700 MHz UHF	0.5 - 3.0 Watts	≥ 30 MHz separation
800 MHz UHF	0.5 - 3.0 Watts	≥ 45 MHz separation
900 MHz UHF	0.5 - 3.0 Watts	≥ 24 MHz or ≥ 39 MHz separation

* The RF power output of the Highband VHF and 400 MHz UHF transmitter is rated at a maximum of 6.0 Watts when installed in the ET-5 case (typical power output of these transmitters is 8.0 Watts).

Typical battery capacity (@20% duty cycle with 6.0 Watts RF power output):

16 alkaline D-Cells batteries	19 hours
internal 10.5 Ah lead acid battery	20 hours
external 35 Ah lead acid battery	52 hours

The ET-5 operating temperature is rated at -20°C to +50°C when using the internal batteries. When using the external battery, the operating temperature is rated at -30°C to +60°C.

The ET-5 is rated for 100% continuous duty operation.

The ET-5 case with the inside panel removed is shown in Figure 1. This shows how the MT-4E receiver and transmitter are mounted inside of the ET-5 case.

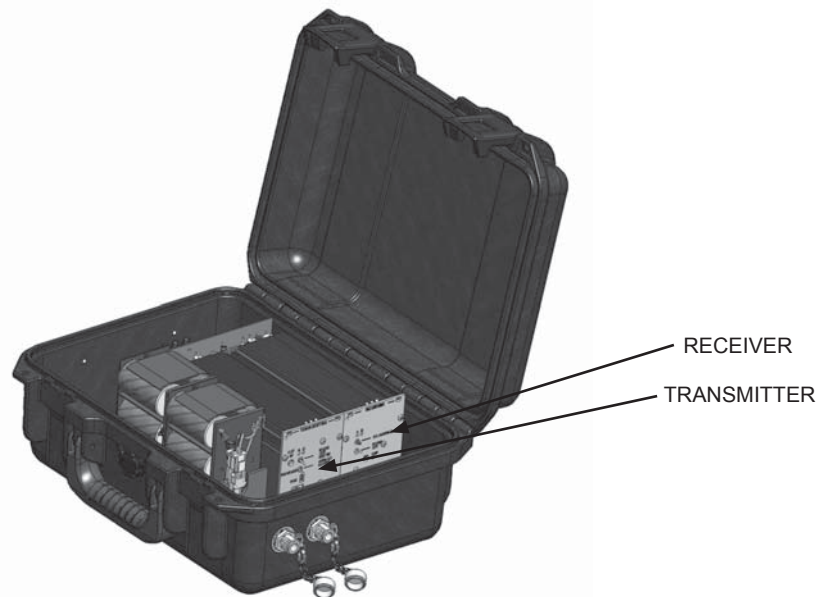


Figure 1: ET-5 case with inside panel removed

TN735 Vizor™ (ET-6) Transportable Tactical Radio System

The Vizor™ (ET-6) transportable tactical radio system is mounted in a compact watertight polyethylene case. Any Codan receiver, transmitter and 30 Watt power amplifier can be mounted inside for repeater or base configurations. The Vizor™ (ET-6) supports analog and transparent P25 digital (clear or secure) repeat capability.



The Vizor™ (ET-6) includes the following:

- internal mounting frame for receiver, transmitter and 30 Watt power amplifier.
- soft grip handle and press and pull latches.
- interface connectors for RF and AC/DC power inputs (internal or external).
- internal “quick change” duplexer mounting capability.
- lightweight OTTO headset (A-HEADSET-01).
- USB type A to right angled 5 pin mini-type B programming cable (CBLC44-20904200)
- 15 Amp 110 / 220 VAC power supply with battery backup
- front panel control interface

The following options are available for the Vizor™ (ET-6):

- A-MIC-05 hand microphone compatible with the headset connector.
- A-PK-RELAY-02 Antenna Relay for base station operation.

There are two different versions of the Vizor™ (ET-6):

- ET-6-M03-01 Standard external RF and power connectors.
- ET-6-M03-02 Internal stealth RF and power connectors

43 Erie Street
Victoria, B.C.
Canada V8V 1P8

Toll Free Canada & U.S.A.
Phone: 1-800-664-4066
Fax: 1-877-750-0004

International
Phone: 250-382-8268
Fax: 250-382-6139

Internet
Email: LMRsales@codanradio.com
Web: www.codanradio.com

MT-3/4 Radio Systems

TN735 Vizor™ (ET-6) Transportable Tactical Radio System

The Vizor™ (ET-6) transportable radio system comes with a front panel control interface with the following features:

- internal interface connectors for RF and AC/DC power inputs (for stealth appearance with the lid closed).
- LED indicators for receive, transmit, power and speaker power indication.
- Clear / Secure select switch and Clear Keys button for encrypted base capability.
- 16 position channel select rotary switch.
- speaker / headset select, 12 pin Hirose connector for headset, volume control knob and main power switch.
- DB25 auxiliary connector for direct connection to a Telex DSP-223 or IP-223 (or another external device).

The transportable radio is 18.2" (46.2 cm) wide, 6.7" (17.0 cm) high and 13.4" (34.0 cm) deep, and weighs 28 lbs. (12.70 kg) fully equipped.

Frequency band	RF Power Output	Internal duplexer frequency separation
AM	1.0 - 3.0 Watts	No duplexer available
Lowband VHF	0.5 - 3.0 Watts	No duplexer available
Highband VHF	0.5 - 8.0 or 30 Watts	≥ 4.5 MHz separation
400 MHz UHF	0.5 - 8.0 or 30 Watts	≥ 5.0 MHz separation
700 MHz UHF	0.5 - 3.0 Watts	≥ 30 MHz separation
800 MHz UHF	0.5 - 3.0 Watts	≥ 45 MHz separation
900 MHz UHF	0.5 - 3.0 Watts	≥ 24 MHz or ≥ 39 MHz separation

The Vizor™ (ET-6) duty cycle and operating temperature is variable as follows:

Case Lid	Duty Cycle	Operating Temperature Range
Open	100%	-30°C to +60°C (Optional -40°C to +60°C)
Closed	100%	-30°C to +10°C (Optional -40°C to +10°C)
Closed	50%	-30°C to +40°C (Optional -40°C to +40°C)
Closed	10%	-30°C to +60°C (Optional -40°C to +60°C)

TN735 Vizor™ (ET-6) Transportable Tactical Radio System

The Vizor™ (ET-6) case with the lid removed is shown in Figure 1. This shows how the receiver, transmitter and power amplifier are mounted inside of the Vizor™ (ET-6) case.

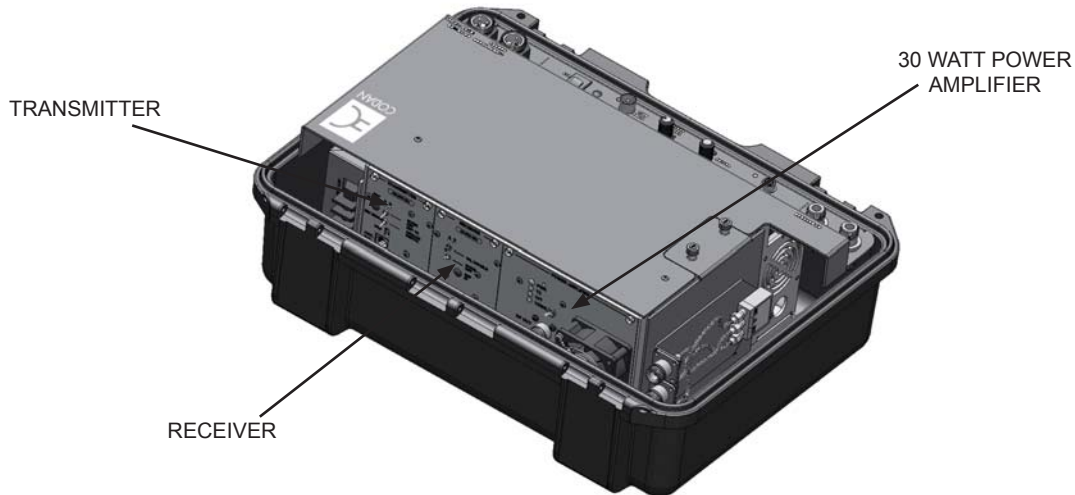


Figure 1: Vizor™ (ET-6) case with case lid removed

The DB25 auxiliary connector pinout is as follows:

Pin	Function	Notes
7	Ground	
8	Transmitter CSEL0	Jumper JU5A installed to operate
9	Transmitter CSEL2	Jumper JU5A installed to operate
12	Receiver Balanced O/P 2	
13	Transmitter Balanced I/P 2	
14	Transmitter PTT I/P	
17	Transmitter Secure / Clear I/P	Pull to ground for Clear mode
20	+13.8 Vdc / Receiver COR	Jumper JU1A (DSP-223) / Jumper JU1B (IP-223)
21	Transmitter CSEL1	Jumper JU5A installed to operate
22	Transmitter CSEL3	Jumper JU5A installed to operate
24	Receiver Balanced O/P 1	
25	Transmitter Balanced I/P 1	

The IP-223 also requires that 2 pins on the DB25 (PTT COM - pin2 and MON COM - pin 16) are wired to ground for proper operation.

Vizor™ is a trademark of Codan Limited.

TN735 Vizor™ (ET-6) Transportable Tactical Radio System

This Page Intentionally Left Blank

TN750 ET-1 Transportable Radio System Case

The ET-1 transportable radio system case is a rugged, weatherproof case constructed from high density polyethylene with reinforced walls. It has recessed handles, smooth latches, anodized valences and a pressure relief valve. The rack is shock mounted and the lid gasket is water tight. Any standard 19" Codan subrack can be mounted inside. Racks are mounted inside the front and back of the case. Codan subracks can be mounted back to back on both front and back racks. Optional duplexers can also be mounted inside the case in the 19" rack. Contact the factory for weight limitations.



The transportable radio case is available in four sizes, a 6 RU (Rack Unit) height, a 9 RU (Rack Unit) height., a 12 RU (Rack Unit) height, and a 15 RU (Rack Unit) height. Contact the factory for other heights available.

Dimensions for ET-1-A06-00 (6 RU Height Shelf)

Outside Depth:	31" (78.7 cm)	Internal Rack Depth:	20" (50.8 cm)
Outside Width:	26" (66 cm)	Internal Rack Width:	19" (standard mounting)
Outside Height:	18.4" (46.7 cm)	Internal Rack Height:	10.625" (27 cm)
Weight (Case Only):	44 lbs. (19.96 kg)		

Dimensions for ET-1-A09-00 (9 RU Height Shelf)

Outside Depth:	31" (78.7 cm)	Internal Rack Depth:	20" (50.8 cm)
Outside Width:	26" (66 cm)	Internal Rack Width:	19" (standard mounting)
Outside Height:	23.4" (59.4 cm)	Internal Rack Height:	15.875" (40.3 cm)
Weight (Case Only):	58 lbs. (26.31 kg)		

43 Erie Street
Victoria, B.C.
Canada V8V 1P8

Toll Free Canada & U.S.A.
Phone: 1-800-664-4066
Fax: 1-877-750-0004

International
Phone: 250-382-8268
Fax: 250-382-6139

Internet
Email: LMRsales@codanradio.com
Web: www.codanradio.com

TN750 ET-1 Transportable Radio System Case

Dimensions for ET-1-A12-00 (12 RU Height Shelf)

Outside Depth:	31" (78.7 cm)	Internal Rack Depth:	20" (50.8 cm)
Outside Width:	26" (66 cm)	Internal Rack Width:	19" (standard mounting)
Outside Height:	29.2" (74.2 cm)	Internal Rack Height:	21.125" (53.8 cm)
Weight (Case Only):	73 lbs. (33.11 kg)		

Dimensions for ET-1-A15-00 (15 RU Height Shelf)

Outside Depth:	31" (78.7 cm)	Internal Rack Depth:	20" (50.8 cm)
Outside Width:	26" (66 cm)	Internal Rack Width:	19" (standard mounting)
Outside Height:	34.2" (86.9 cm)	Internal Rack Height:	26.375" (67 cm)
Weight (Case Only):	90 lbs. (40.82 kg)		

43 Erie Street
Victoria, B.C.
Canada V8V 1P8

Toll Free Canada & U.S.A.
Phone: 1-800-664-4066
Fax: 1-877-750-0004

International
Phone: 250-382-8268
Fax: 250-382-6139

Internet
Email: LMRsales@codanradio.com
Web: www.codanradio.com

TN790 Transportable Radio System Accessories

Codan Radio Communications has a number of accessories available for the Transportable Radio System cases.

Tactical Antenna

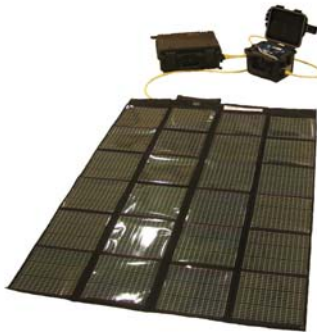


- broadband 1/2 wave antenna.
- 2.0 dB of gain.
- no ground plane required.
- corrosion and weather resistant.
- VHF (138 - 174 MHz) ANT-TCANT-577
- UHF (406 - 470 MHz) ANT-F-33116

External Battery and Case



- 35 Ah external battery: PSBENC-002
- 100 Ah external battery: PSBENC-005
- Sealed Lead Acid 12 Vdc AGM in weatherproof case.
- comes with interconnect cable that connects to the transportable radio.
- PSBENC-002: 7.7" height; 11.8" width; 9.8" depth. weighs 28 lbs. (12.7 kg).
- PSBENC-005: 8.9" height; 21.7" width; 14.1" depth. weighs 75 lbs. (34.0 kg).



Solar Panel Kit (PSS-PS-60W-02)

- 60 Watt solar panel.
- comes in a sealed weatherproof case.
- comes with interconnect cable that connects to both the transportable radio or the external battery case.
- charge controller (regulator) included.
- dimensions: 0.06" height; 42" width; 60" depth.
- weighs 12 lbs. (5.4 kg).



Antenna Mast System

- available heights of 3, 7 or 10 meters
- made from 100% corrosive free alloys.
- stores in a rugged wheeled bag for easy transport.
- Mil-Spec 810F
- 3 meter (9' 10") kit: ANT-MASTSYS-01
- 7 meter (22' 11") kit: ANT-MASTSYS-02
- 10 meter (32' 9") kit: ANT-MASTSYS-03

43 Erie Street
Victoria, B.C.
Canada V8V 1P8

Toll Free Canada & U.S.A.
Phone: 1-800-664-4066
Fax: 1-877-750-0004

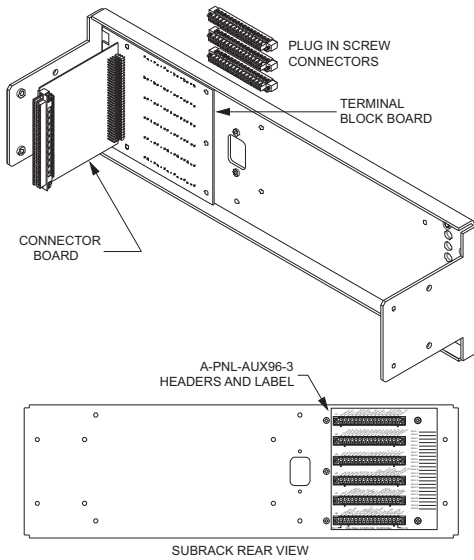
International
Phone: 250-382-8268
Fax: 250-382-6139

Internet
Email: LMRsales@codanradio.com
Web: www.codanradio.com

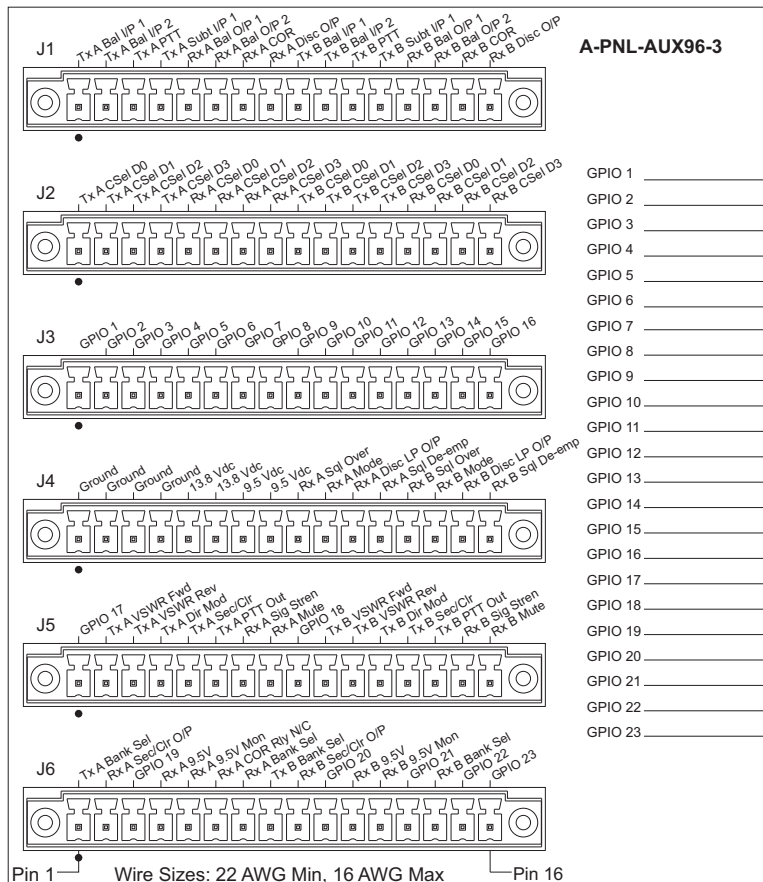
TN790 Transportable Radio System Accessories

This Page Intentionally Left Blank

TN800 A-PNL-AUX96-3 Auxiliary Connector



The A-PNL-AUX96-3 option provides convenient access to all signals on the motherboard auxiliary control connector. This is accomplished with two circuit boards: the Terminal Block board and the Connector board. The Terminal Block board mounts to the subrack rear panel and has six 16 pin headers that mate with 16 position plug-in screw connectors. The plug-in screw connectors use a clamping action to secure stranded or solid conductor wires from 22 AWG to 16 AWG and have locking screws to ensure the connector does not loosen due to vibration. A label on the back of the subrack rear panel lists the signals at their respective positions. The Connector board is soldered to the Terminal Block board and provides the interconnection between the auxiliary control connector on the motherboard and the Terminal Block board.



A close-up view of the auxiliary connector label shows the short signal name for each connection point. Definitions for these signals can be found in the SR-39-1 subrack manual. Extra General Purpose Input / Output connectors (GPIO) that can be used for different functions depending on the control card are listed to the right of the connectors. For example, the AC-3E audio control card uses these lines for auxiliary audio inputs / outputs and auxiliary COR / PTT connections. The CI-PM-3 paging modulator uses these signal lines for connecting A/D select lines, 2-level and 4-level data, etc. The custom functions of these connectors will be marked in the blank space next to the signal name.

See Table 1 and Table 2 for a list of connector names by control card and by transmitter and receiver series.

**43 Erie Street
 Victoria, B.C.
 Canada V8V 1P8**

**Toll Free Canada & U.S.A.
 Phone: 1-800-664-4066
 Fax: 1-877-750-0004**

**International
 Phone: 250-382-8268
 Fax: 250-382-6139**

**Internet
 Email: LMRsales@codanradio.com
 Web: www.codanradio.com**

TN800 A-PNL-AUX96-3 Auxiliary Connector

Table 1: Auxiliary Control Connector Definitions for Control Cards

Name	Old Name	Pin #	AC-3E	CI-BC-4E	CI-PM-3	UIC-4
GPIO 1	Spare 1	J3-1	AUX 1 AUDIO I/P 1	AUX 1 AUDIO I/P 1	DATA OUT	GPAI2 I/P
GPIO 2	Spare 2	J3-2	AUX 1 AUDIO I/P 2	AUX 1 AUDIO I/P 2	CTCSS HU/BUSY	GPAI3 I/P
GPIO 3	Spare 3	J3-3	AUX 2 AUDIO I/P 1	AUX 2 AUDIO I/P 1	REF FAIL ALARM***	GPAI0 I/P
GPIO 4	Spare 4	J3-4	AUX 2 AUDIO I/P 2	AUX 2 AUDIO I/P 2	N/C	GPAI1 I/P
GPIO 5	Spare 5	J3-5	AUX 1 AUDIO O/P 1	AUX 1 AUDIO O/P 1	EXT B/W SEL****	GPAO2 O/P
GPIO 6	Spare 6	J3-6	AUX 1 AUDIO O/P 2	AUX 1 AUDIO O/P 2	N/C	GPAO3 O/P
GPIO 7	IMC 1	J3-7	AUX 2 AUDIO O/P 1	CLEAR KEYS 1	N/C	CLEAR KEYS 1
GPIO 8	IMC 2	J3-8	AUX 2 AUDIO O/P 2	CLEAR KEYS 2	N/C	CLEAR KEYS 2
GPIO 9	Alarm 1	J3-9	AUX 1 COR C	AUX 1 COR C	PTT	GPDO0 O/P
GPIO 10	Alarm 2	J3-10	AUX 1 COR E	AUX 1 COR E	A/D MODE SEL	GPDO1 O/P
GPIO 11	Alarm 3	J3-11	AUX 2 COR C	AUX 2 COR C	2-LVL/4-LVL SEL	GPDO2 O/P
GPIO 12	Alarm 4	J3-12	AUX 2 COR E	AUX 2 COR E	EXT CLOCK	GPDO3 O/P
GPIO 13	Alarm 5	J3-13	AUX 1 PTT A	AUX 1 PTT A	BAL AUDIO 2	GPDI0 I/P
GPIO 14	Alarm 6	J3-14	AUX 1 PTT K	AUX 1 PTT K	4-LVL DATA	GPDI1 I/P
GPIO 15	Alarm 7	J3-15	AUX 2 PTT A	AUX 2 PTT A	BAL AUDIO 1	GPDI2 I/P
GPIO 16	Alarm 8	J3-16	AUX 2 PTT K	AUX 2 PTT K	2-LVL DATA	GPDI3 I/P
GPIO 17	Tx A Audio Cntl	J5-1	N/C*	AUX 2 AUDIO O/P 1	TX A A/D MODE CTRL	GPAO0 O/P
GPIO 18	Tx B Audio Cntl	J5-9	N/C**	AUX 2 AUDIO O/P 2	TX B A/D MODE CTRL	GPAO1 O/P
GPIO 19	Rx A Sql Flat Aud	J6-3	N/C	N/C	N/C	N/C
GPIO 20	Rx B Sql Flat Aud	J6-10	N/C	N/C	N/C	N/C
GPIO 21	N/A	J6-13	N/C	N/C	N/C	RX B MODE I/P
GPIO 22	N/A	J6-15	N/C	N/C	N/C	N/C
GPIO 23	IMC 3	J6-16	N/C	EXT RPT DISABLE	N/C	N/C

* Install SR-39-1 motherboard jumper JU6 for TX A A/D MODE I/P

** Install SR-39-1 motherboard jumper JU7 for TX B A/D MODE I/P.

*** REF FAIL ALARM requires SCARB

**** EXT B/W SEL requires custom modification

TN800 A-PNL-AUX96-3 Auxiliary Connector

Table 2: Auxiliary Control Connector Definitions for Transmitter / Receiver Series

Connector Name	Pin #	MT-3 Module	MT-4E Module
Tx A Bank Sel	J6-1	TX A STANDBY	TX A BANK A/B SEL
Tx B Bank Sel	J6-8	TX B STANDBY	TX B BANK A/B SEL
Rx A Bank Sel	J6-7	RX A ISO COR K	RX A BANK A/B SEL
Rx B Bank Sel	J6-14	RX B ISO COR K	RX B BANK A/B SEL
Tx A Sec/Clr	J5-5	TX A SUBT I/P 2	TX A SEC/CLR I/P
Tx B Sec/Clr	J5-13	TX B SUBT I/P 2	TX B SEC/CLR I/P
Rx A Sec/Clr	J6-2	RX A AMP AUD	RX A SEC/CLR O/P
Rx B Sec/Clr	J6-9	RX B AMP AUD	RX B SEC/CLR O/P
Rx A Mode	J4-10	RX A PRIOR COR	RX A A/D MODE O/P
Rx B Mode	J4-14	RX B PRIOR COR	RX B A/D MODE O/P

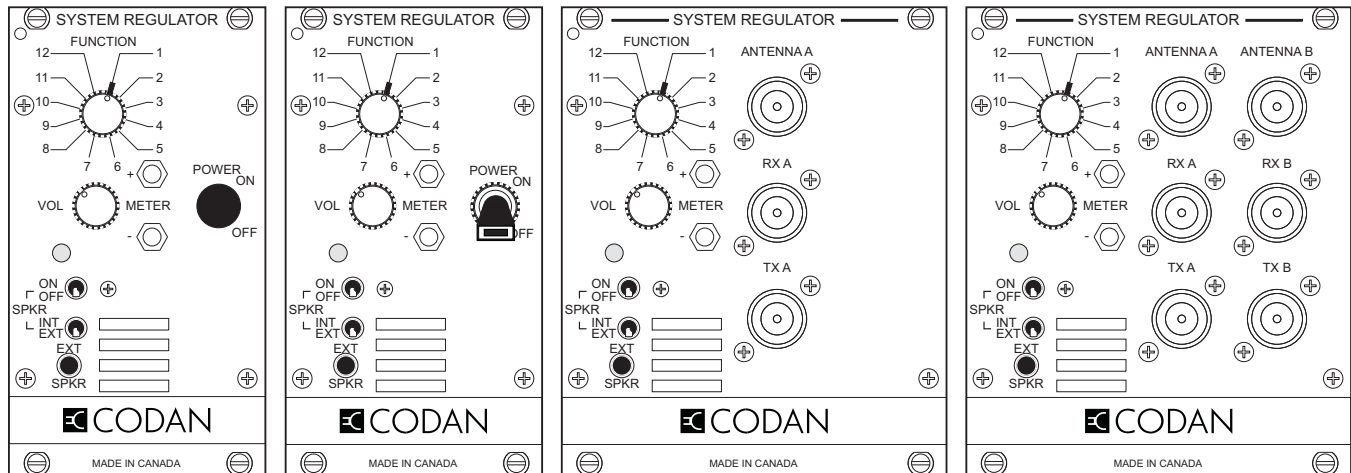
TN800 A-PNL-AUX96-3 Auxiliary Connector

This Page Intentionally Left Blank

TN811 SM-3 System Regulator

The SM-3 system regulator is a plug-in module which provides voltage regulation, system metering and audio monitoring for an MT-3 or MT-4 radio system. The SM-3 includes the following features:

- High current +9.5 Vdc voltage regulator with an anti-latchup hysteresis circuit.
- Front panel switch selectable meter outputs to check supply voltages, carrier strengths, etc.
- Audio amplifier and loudspeaker.
- Relay drivers for optional antenna relays.



There are four different versions of the system regulator.

SM-3-H0-014-00	Standard SM-3 with no relays or switches (14 HP width)
SM-3-H0-014-01	SM-3 with main power switch (14 HP width)
SM-3-H0-R1N-00	SM-3 with single antenna relay on the front panel (21 HP width)
SM-3-H0-R2N-00	SM-3 with dual antenna relays on the front panel (21 HP width)

The System Regulators have a rotary switch on the front panel allowing the various functions to be selected for monitoring. Two front panel jacks are provided for monitoring of selected functions. An audio amplifier and loudspeaker allow for audio monitoring. Front panel controls allow for audio volume adjustment. Select the Receiver audio for monitoring using the rotary switch (position 3 for Receiver A, position 5 for Receiver B), and turn the speaker ON. An external speaker jack is also available. An LED indicator illuminates when the audio circuits are on. Receiver C, D and E can also be monitored when using the System Regulator in a Multiple Receiver Subrack. Jumpers JU15 - JU24 are installed for Multiple Receiver Subrack compatibility.

Backwards Compatibility

The SM-3 System Regulator is a direct replacement for the SM-3 System Monitor, however, the rotary switch positions for the front panel test points have been changed.

The simplex mode jumpers to connect the Transmitter PTT OUT signal line to the RX MUTE are now located on the new motherboard, but the System Regulators still contain the simplex mode jumpers for backwards compatibility with older motherboards.

TN811 SM-3 System Regulator

System Regulator Testing

The System Regulator module is designed with a convenient and easy test point built in to the front panel. This test point allows a technician access to the DC supply and regulated voltages. Simply connect a standard Digital Volt Meter (DVM) to the METER jacks on the front panel of the System Regulator as shown in Figure 1. Turn the rotary switch to the desired position to measure the supply voltage, regulated voltage or audio output as shown in Table 1. Note that the RSSI requires a carrier and the audio output requires an audio tone injected into the receiver.

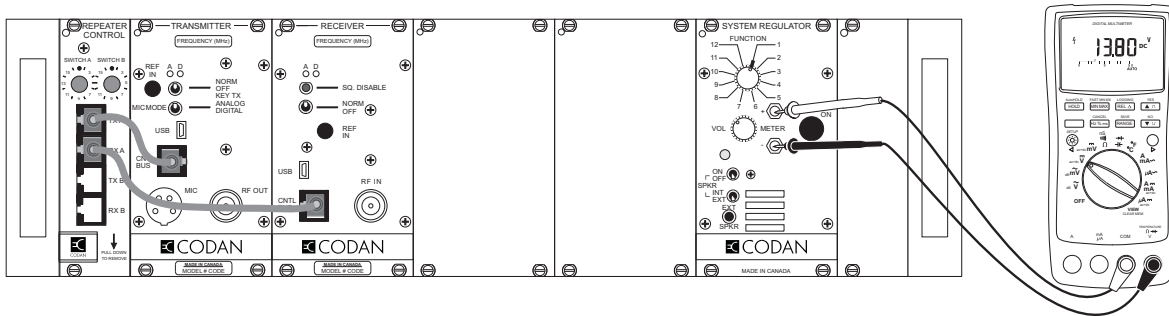


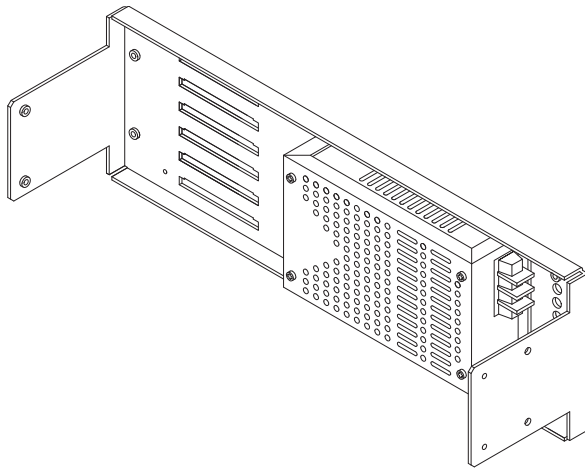
Figure 1: System Regulator Testing

Table 1: System Regulator Rotary Switch Functions

Position	Function	Parameter
1	Supply Voltage	+10 Vdc to +17 Vdc (+13.8 Vdc nominal)
2	+9.5 Volts Regulated	+9.5 Vdc (± 0.1 Vdc)
3	Rx A Audio	Receiver A Audio (NOT Rx Balanced Output)
4	Rx A Carrier Strength	0 Vdc to +5.0 Vdc based on received signal strength
5	Rx B Audio	Receiver B Audio (NOT Rx Balanced Output)
6	Rx B Carrier Strength	0 Vdc to +5.0 Vdc based on received signal strength
7	Rx C Audio	Receiver C Audio (NOT Rx Balanced Output)
8	Rx C Carrier Strength	0 Vdc to +5.0 Vdc based on received signal strength
9	Rx D Audio	Receiver D Audio (NOT Rx Balanced Output)
10	Rx D Carrier Strength	0 Vdc to +5.0 Vdc based on received signal strength
11	Rx E Audio	Receiver E Audio (NOT Rx Balanced Output)
12	Rx E Carrier Strength	0 Vdc to +5.0 Vdc based on received signal strength

MT-3/4 Radio Systems

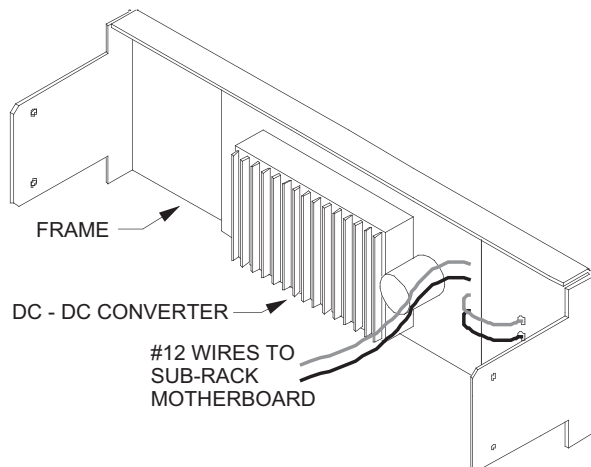
TN830 AC to DC and DC to DC Power Supplies



The PSA-12A15-PB-00 and PSA-12A15-UB-00 AC switching power supplies provide a regulated +13.8 Vdc to the output terminals. Valuable rack space has been saved by mounting the "PB" version AC power supply inside the rear panel frame that attaches to the rear of the subrack. The "UB" version is sold unmounted. An AC power socket is located on the outside of the subrack rear panel and accepts standard IEC320 type cordsets.

A +12 Vdc battery terminal connector allows connection of a Lead Acid battery for float charging. During a power failure the Lead-Acid battery provides backup power to the primary output.

Input Voltage Range	105 to 130 Vac or 185 to 250 Vac (Jumper Selectable)
Input Frequency Range	50 / 60 Hz
Output Voltage	+13.8 Vdc \pm 100 mV
Output Current	15 Amps continuous @ +40°C (12 Amps continuous @ +60°C)
Operating Temperature	-30°C to +40°C continuous duty (-30°C to +60°C @50% duty cycle)



The DC to DC converters provide a regulated +13.8 Vdc to the output terminals over a wide range of DC input voltages. Valuable rack space has been saved by mounting the DC to DC converter inside the rear panel frame that attaches to the rear of the subrack. A terminal block is located on the outside of the subrack rear panel for the DC input voltage. The DC to DC converters comes in two different models.

Input Voltage Range	+18 - +36 Vdc floating input PSD-15-08-P0-80 +36 - +72 Vdc floating input PSD-15-08-P0-90
Output Voltage	Factory set at +15 Vdc. Adjustable from +13.5 Vdc to +16.5 Vdc
Output Current	8 Amps continuous @ +15 Vdc
Operating Temperature	-25°C to +60°C continuous duty

43 Erie Street
Victoria, B.C.
Canada V8V 1P8

Toll Free Canada & U.S.A.
Phone: 1-800-664-4066
Fax: 1-877-750-0004

International
Phone: 250-382-8268
Fax: 250-382-6139

Internet
Email: LMRsales@codanradio.com
Web: www.codanradio.com

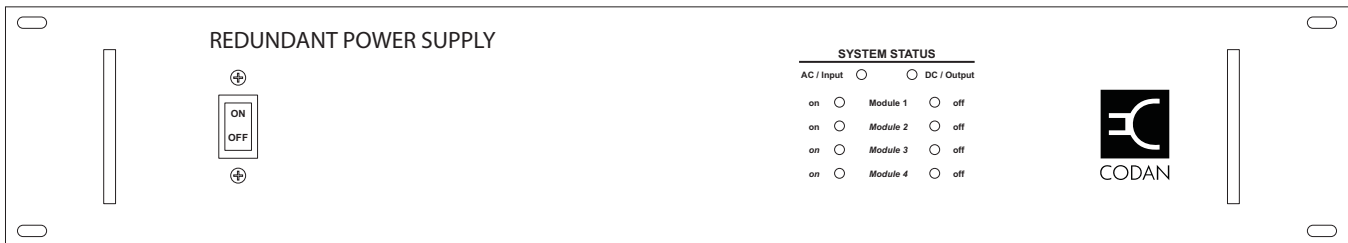
TN830 AC to DC and DC to DC Power Supplies

This Page Intentionally Left Blank

TN835 High Current AC to DC Power Supplies

The PSA-12-40-RB-00 and PSA-12-60-RB-00 AC switching power supplies provide a regulated +13.8 Vdc to the output terminals. The power supplies are 19" rack mountable and include battery revert capability. An input fuse, electronic current limiting and voltage limiting protection, transient voltage suppressor and thermistor are built into the unit as standard protection to safeguard the unit from abnormal conditions. The power supply uses active current sharing technology to distribute the load current among two or three 20 Amp modules. This reduces stress on individual components and increases reliability.

For remote sensing, status signals are available on the rear of the power supply on a female DB25 connector.



Specifications

Input Voltage Range	120 Vac or 220 Vac (Switch Selectable)
Input Frequency Range	50 / 60 Hz
Output Voltage	+13.8 Vdc
Output Current	40 Amps continuous @ +13.8 Vdc (+60°C) PSA-12-40-RB-00 60 Amps continuous @ +13.8 Vdc (+60°C) PSA-12-60-RB-00
Operating Temperature	-40°C to +60°C continuous duty

Installation

1. Mount the unit to the 19" rack.
2. Select the input voltage by sliding both AC voltage select switches on the rear of the power supply. Be certain that both switches are on the same voltage setting.

WARNING: Damage to the unit and personal injury might occur if both the AC voltage select switches are not set on the same voltage setting.

3. Connect the load to the output terminal block connector marked "SYSTEM", with proper polarities in mind. Tighten the output terminal block screws to secure the wires.
4. Connect the backup battery (if applicable) to the output terminal block connector marked "BATT", with proper polarities in mind. Tighten the output terminal block screws to secure the wires.
5. While the switch is in the OFF position, connect the supplied AC power cord to the AC input socket.
6. Plug the unit into an AC source capable of handling the rated input current (7 Amps or 12 Amps).
7. Turn the AC switch (located on the front panel) to the ON position to operate the unit.

43 Erie Street
Victoria, B.C.
Canada V8V 1P8

Toll Free Canada & U.S.A.
Phone: 1-800-664-4066
Fax: 1-877-750-0004

International
Phone: 250-382-8268
Fax: 250-382-6139

Internet
Email: LMRsales@codanradio.com
Web: www.codanradio.com

TN835 High Current AC to DC Power Supplies

Battery Backup

During normal operation, the power supply provides all of the necessary power to the output while float charging the battery that is connected at the battery backup output. In the event that the AC power source is interrupted, the battery will start to supply power to the load through an isolation diode; however, the load voltage will be 0.4 Vdc lower than the battery voltage. The power resistors used to float charge the battery limit the charging current to a value based on a 100Ah deep cycle battery.

Alarm and Status Signals

For remote monitoring, the power supply is equipped with a female DB25 connector (on the rear of the power supply behind a protective panel) that outputs various alarm and status signals such as:

Pin Number	Pin Description	Voltage Out
Pin 1	AC Good signal	+15 Vdc if AC Voltage present / 0 Vdc if AC voltage not available
Pin 2	+5 Vdc reference signal	+5 Vdc
Pin 3	No connection	N/C
Pin 4	Fan Good signal	+5 Vdc if both fans are good / 0 Vdc if one or both fans not functioning
Pin 5	No connection	N/C
Pin 6	Current signal	System current out analog signal (0 Vdc ~ +5 Vdc)
Pin 7	Module 1 Good signal	+5 Vdc If Module is Good 0 Vdc If Module is not functioning or not present
Pin 8	Module 2 Good signal	
Pin 9	Module 3 Good signal	
Pin 10	Module 4 Good signal	
Pin 11	No connection	N/C
Pin 12	Temp warning signal	+5 Vdc if the temperature inside the unit is over 48°C
Pin 13	System VOUT Signal	+13.8 Vdc
Pin 14-15	Ground	Ground

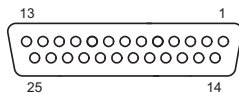


Figure 1: Pin Layout of the DB25 Connector

LED Status Display

An LED status indicator (located on the front panel) identifies how many modules are connected on the board and are working. The display also shows the status of the AC input and the DC output signals.

The green LED status indicator will be lit when:

- AC line voltage is preset
- DC output voltage is present
- Module voltage is present

The yellow LED status indicator will be lit when:

- Module is not present in the slot
- Module is not producing any output

TN836 High Current Digital Series AC to DC Power Supplies

The high current digital series power supplies provide 675 Watts (50 Amps @ +13.8 Vdc) or 1350 Watts (100 Amps @ +13.8 Vdc) of power and are 19" rack mountable in a 1 RU rack mount chassis and include battery backup capability.

The digital series power supply may include the following features:

- Front panel control of voltage, current limiting (optionally password protected).
- TCP/IP Ethernet connector for remote monitoring and control of power supply via a built-in web server.
- Battery backup and Low Voltage Disconnect (LVD) with adjustable setpoints.
- Connect up to 6 power supplies in parallel with load sharing control.
- Form C alarm contacts and remote on/off capability.
- Temperature controlled fans (front to rear airflow).



Specifications

Input Voltage Range	100 to 265 Vac (Automatic)
Frequency Range	50 / 60 Hz
Output Voltage Range	+12 Vdc (+11.5 - +15.5 Vdc)
Continuous Output Current	50 Amps or 100 Amps @ +12 Vdc (+60°C)
Operating Temperature Range	-20°C to +60°C
Typical Efficiency	90% @ 220 Vac
Output Ripple	15mV RMS

Models Available

PSA-12-50-R6-31	50 Amps with Battery Backup and Remote / Alarm Connector (No Front Panel Display / Control and no Ethernet connector).
PSA-12-50-R5-11	50 Amps with Battery Backup, Remote / Alarm Connector, Front Panel Display / Control and Ethernet connector.
PSA-12-50-R5-12	50 Amps with Battery Backup, Remote / Alarm Connector, Front Panel Display / Control (No Ethernet connector).
PSA-12-100-R5-11	100 Amps with Battery Backup, Remote / Alarm Connector, Front Panel Display / Control and Ethernet connector.
PSA-12-100-R5-12	100 Amps with Battery Backup, Remote / Alarm Connector, Front Panel Display / Control (No Ethernet connector).

43 Erie Street
Victoria, B.C.
Canada V8V 1P8

Toll Free Canada & U.S.A.
Phone: 1-800-664-4066
Fax: 1-877-750-0004

International
Phone: 250-382-8268
Fax: 250-382-6139

Internet
Email: LMRsales@codanradio.com
Web: www.codanradio.com

TN836 High Current Digital Series AC to DC Power Supplies

Installation

1. Mount the unit to the 19" rack.
2. Connect the positive side of the load to the "POS" busbar and the negative side of the load to the "NEG" busbar. Tighten the busbar hardware to properly secure the wires.
3. Connect the backup battery (if applicable) positive side of the load to the "BAT" busbar, and the negative side of the load to the "NEG" busbar. Tighten the busbar hardware to properly secure the wires.
4. Connect a chassis bonding wire to the 1/4 inch ground stud located on the back panel (if required).
5. While the switch is in the OFF position, connect the supplied AC power cord to the AC input socket.
6. Plug the unit into an AC source capable of handling the rated input current.
7. Turn the AC switch (located on the front panel) to the ON position to operate the unit.

Front Panel Control

The Front Panel Display allows the following:

- View Input Voltage and Output Current
- View and Control Output Voltage (+11.5 - +15.5 Vdc) and Current Limit (25 A - 106 A)
- Turn the DC Output On or Off
- Set and Clear a password for the front panel control, including a lockout timer (0 - 60 min.)
- View the IP address, MAC address and device name
- Reset the password, IP address and port to factory default
- Configure parallel mode (Master and Slave setting), number of units paralleled, or set as standalone
- Set the LVD disconnect (+10 - +12.4 Vdc) and reconnect voltage (+10.6 - +13.8 Vdc), and view battery voltage

Battery Backup

The "BAT" terminal provides a current limited charge up to the maximum rated output of the supply. When AC fails, the load is automatically and seamlessly transferred to the battery so that the load is not interrupted. When AC returns, the power supply picks up the load, and resumes charging the battery to an optimal state of charge. A built-in Low Voltage Disconnect (LVD) protects the battery voltage from dropping too low, thereby avoiding damage to the battery.

AC Power Cords

The AC Power Cords are slightly different for each model:

Power Supply Part #	AC Power Cord Part #	Description
PSA-12-50-R6-31	7293-3U1250P6	10 Amp AC Power Cord
PSA-12-50-R5-11	7295-1U1875P8	15 Amp AC Power Cord
PSA-12-50-R5-12	7295-1U1875P8	15 Amp AC Power Cord
PSA-12-100-R5-11	7295-2U2500P8	20 Amp AC Power Cord
PSA-12-100-R5-12	7295-2U2500P8	20 Amp AC Power Cord

TN836 High Current Digital Series AC to DC Power Supplies

Remote Control and Alarm Connector

A REMOTE connector on the back panel of the power supply allows for the following functionality:

Pin Number	Pin Description	Functionality
Pin 1	REM SD+	Remote shutdown control lines (TTL compatible)
Pin 2	REM SD-	Hi = output off; Low = output on
Pin 3	REM SNS+	Remote voltage sense lines for tighter voltage regulation at load
Pin 4	REM SNS-	Default sense point is at busbars
Pin 5	Common	Alarm Output Common
Pin 6	NO	Alarm Output Normally Open contact (0.5 A 125 Vac max.)
Pin 7	NC	Alarm Output Normally Closed contact (0.5 A 125 Vac max.)

Alarms

Alarm Output activation setting is enabled or disabled through the TCP/IP web based utility (for units without the Ethernet option the form C relay output will always be activated for an alarm condition). Available alarms are as follows:

DC Output Voltage Failure Alarm	Output voltage rises above $\approx 110\%$ of the maximum rated output. Alarm latches output off, clears when DC output manually re-enabled.
DC Overcurrent Shutdown Alarm	Output current rises above $\approx 115\%$ of the maximum rated output. Alarm latches output off, clears when DC output manually re-enabled.
AC Input Voltage Failure Alarm	AC Input voltage falls below ≈ 90 Vac. Alarm latches output off, automatically clears when AC input rises . above ≈ 100 Vac for 3 seconds.
System Failure Alarm	Internal system failure. Alarm latches output off, clears when DC output manually re-enabled. and internal fault is no longer present.
Over-Temperature Alarm	Internal over-temperature limit exceeded. Alarm latches output off, automatically clears when temperature . returns to normal operating range.
Parallel Unit Offline Alarm	Communication is lost between parallel units. Output state unaffected. No effect if parallel operation is not active.

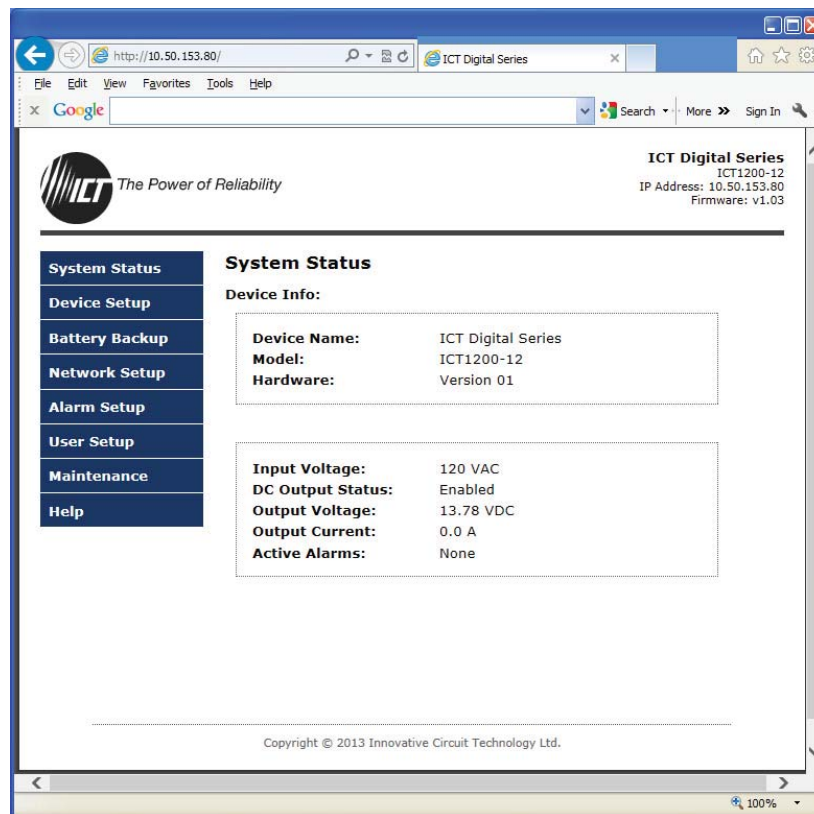
TN836 High Current Digital Series AC to DC Power Supplies

TCP / IP Web Based Utility

The power supplies may be equipped with an embedded Web server that allows status monitoring and changing of the settings and configuration of the power supply. The embedded Web server provides an interface to the power supply that can be accessed through a standard web browser on a network connected computer. There is no additional software to install or configure. If the power supply is connected to a network with a DHCP server, it will be assigned an IP address automatically.

The web browser connection allows all of the configuration of the front panel (voltage control, current limiting, monitoring, password control, IP management parallel mode control and LVD setting), as well as Alarm Setup (independently selecting the alarms to activate the Form C relays and/or send e-mails).

The web browser also has remote reset capability, e-mail configuration, SNMP and other features. An example of the web browser is shown below.



TN840 Extender Cards and Kits

To facilitate testing, alignment and maintenance for the MT-3 and MT-4 radio systems, extender cards and kits can be used to extend the individual modules out from the subrack.

Extender cards plug directly into the subrack, and are shown in Figure 1.

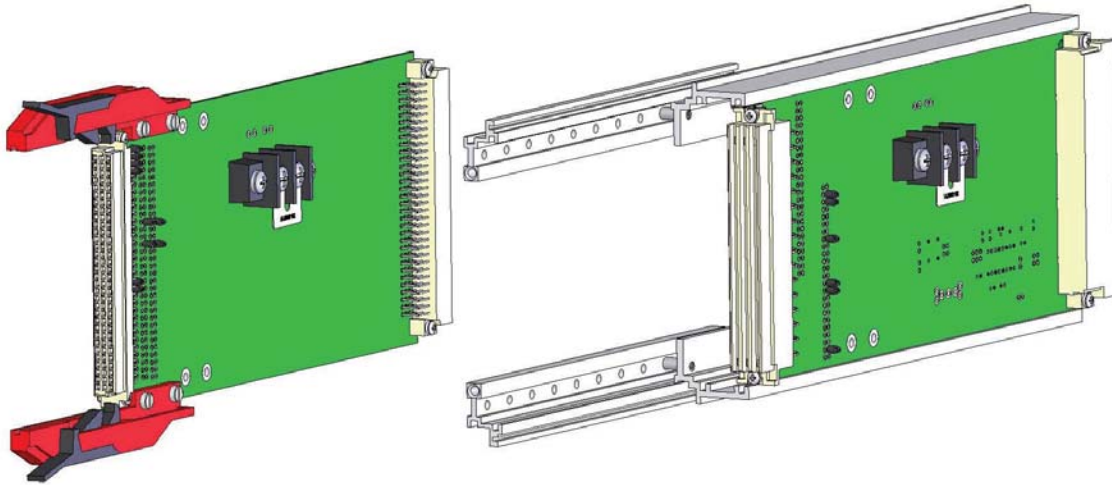


Figure 1: EC-96D1 and EC-48RD Extender Cards

Extender kits (extender card and a four foot cable) allow the modules to be extended out to a bench for servicing as shown in Figure 2.

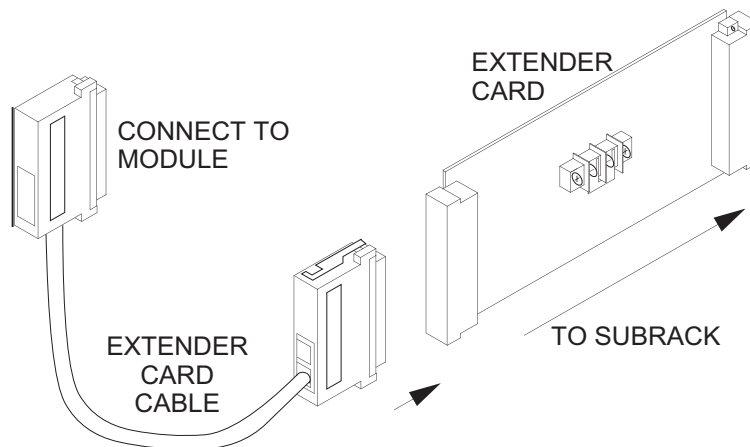


Figure 2: Extender Kit

TN840 Extender Cards and Kits

The following extender cards and kits are available:

EC-48RD Extender Card

Used for all transmitter, receiver and system regulator modules.

Direct connect (no cables).

Extender card and adapter panel extrusion are mounted in the subrack in TX, RX or SM-3 slot.

Adapter panel supports the module outside the subrack and has different slots for each module.

EC-96D1 Extender Card

Used for the 96 pin control cards (AC-3E, CI-RC-4L, CI-BC-4E, UIC-4).

Direct connect (no cables).

Extender card is mounted in the subrack in the control card slot.

Control card is inserted into the red plastic rails on the end of the extender card and is locked into place using black locking levers.

EC-48RK-1.22 Extender Kit

Used for all transmitter, receiver and system regulator modules.

Extender card and four foot cable.

Extender card and adapter panel extrusion is mounted in the subrack in TX, RX or SM-3 slot and cable is used to attach to module.

EC-96K-1.22 Extender Kit

Used for the 96 pin control cards (AC-3E, CI-RC-4L, CI-BC-4E, UIC-4).

Extender card and four foot cable.

Extender card is mounted in the subrack in the control card slot and cable is used to attach to module.

Test Points

The extender cards have solder points available on each signal line that can have a small test point (5059-TP110300), that is supplied with the extender card, soldered to them for easy connection with clip-on type clips.

Recommended Test Points are:

Audio Control Card and Base Control Card Extender Card pins (EC-96D1 and EC-96K-1.22):

Auxiliary 1 Audio Output = B11 & A11

Auxiliary 2 Audio Output = C1 & C3 (Audio Control Card); C2 & C4 (Base Control Card)

Auxiliary 1 Audio Input = C19 & C20

Auxiliary 2 Audio Input = B14 & A14

Receiver and Transmitter Extender Card pins (EC-48RD and EC-48RK-1.22):

Rx Balanced Audio Output = B26 & Z26

Tx Balanced Audio Input = B18 & Z18

Tx Subtone Input = B22 & Ground (B32)

TN855 CI-DSP-223 Telex (Vega) DSP Tone-Remote Adapter

The Telex DSP-223 tone-remote adapter provides a reliable means of remotely controlling Codan base stations and repeaters. The adapters can be used in conjunction with tone-remote control consoles which use the industry-standard sequential tone keying format. The DSP-223 adapters are interconnected to the distant remote control console(s) by any voice grade transmission medium such as a microwave link, a leased telephone line, or a twisted-pair 600-ohm line. All DSP-223 adapters are capable of decoding the PTT tone sequence and the voice-plus-tone signals during transmission. The tone portion of the voice-plus-tone signal is removed from the transmitted voice. All models are prepared for jumper-plug conversion from four-wire-line operation to two-wire-line operation. In the four-wire mode, the panels are full duplex capable.

The Telex DSP-223 tone-remote adapter provides the following features:

- PTT Relay and Monitor Relay
- 99 digit front panel display
- PTT, Monitor and Power LED indicators
- F1 and F2 Relays (programmable to any function tone)
- Digital outputs for channel selection of the Codan Tx and Rx modules (programmable to any function tone)
- CTCSS encode generation (64 frequencies available)
- Hardware and software gain controls
- Local handset port for monitoring activity through the unit and transmission back to the base or to the radio
- Front panel test points and level set pots
- RS-232C port on front panel for software configuration via Windows application
- Ability to pass through to a second tone adapter
- Single or Dual function tone recognition (16 or 100 function tones)
- Morse code encoder for Automatic station identification
- Voter / Ring Down Tone Generation

All models have been factory tuned to the following frequencies:

Guard Tone / PTT Tone: 2175 Hz

Monitor Function Tone: 2050 Hz

Frequency Select Function Tones (where used)

F1: 1950 Hz	F4: 1650 Hz	F7: 1350 Hz	F10: 1050 Hz	F13: 750 Hz	F16: 450 Hz
F2: 1850 Hz	F5: 1550 Hz	F8: 1250 Hz	F11: 950 Hz	F14: 650 Hz	
F3: 1750 Hz	F6: 1450 Hz	F9: 1150 Hz	F12: 850 Hz	F15: 550 Hz	

TN855 CI-DSP-223 Telex (Vega) DSP Tone-Remote Adapter

DB-25 Connector Table (Color coding for Codan Interconnect cables):

1	YEL/GRN (PTT NC)	10	RED/BLU (DIG4)	18	WHT/GRY (F2 NC)
2	YEL/BRN (PTT COM)	11	VIO/GRN (CTCSS)	19	WHT/ORG (F2 COM)
3	YEL/GRY (MON NO)	12	VIO/BRN (RX-)	20	WHT/BLU (+POWER)
4	YEL/ORG (F1 NC)	13	VIO/GRY (TX-)	21	BLK/GRN (DIG1)
5	YEL/BLU (F1 COM)	14	VIO/ORG (PTT NO)	22	BLK/BRN (DIG3)
6	RED/GRN (F2 NO)	15	VIO/BLU (MON NC)	23	BLK/GRY (DIG5)
7	RED/BRN (GND)	16	WHT/GRN (MON COM)	24	BLK/ORG (RX+)
8	RED/GRY (DIG0)	17	WHT/BRN (F1 NO)	25	BLK/BLU (TX+)
9	RED/ORG (DIG2)				

Installation:

A female DB25 connector on the back of the subrack (J10) can be used for basic base connections to a Telex DSP-223, using a standard straight-through male-to-male DB25 cable (**WARNING: JU108 must be configured correctly or damage can occur. JU108 A for +13.8 Vdc / DSP-223**). The A-PNL-AUX96-3 auxiliary connector can also be used to connect to the Telex board to a Codan Base Station with an AC-3E or CI-BC-4E, as shown in Figure 1. Select the two or four-wire-line operation and setup jumpers J20 and J21 on the Telex. For four-wire-line operation, set the jumpers in position 'B' and connect the four-wire leased line outgoing to Pins 4 and 5 and the receive to Pins 3 and 6 of the RJ45 modular connector. For two-wire-line operation, set the jumpers in position 'A' and connect the two-wire leased line to Pins 4 and 5 of the RJ45 modular connector. Ensure jumpers JU67A (or JU67X for CI-BC-4E) and JU68 are installed on the AC-3E and CI-BC-4E. On Codan MT-4R and MT-4D radio systems, the CTCSS to Subtone connection is not connected.

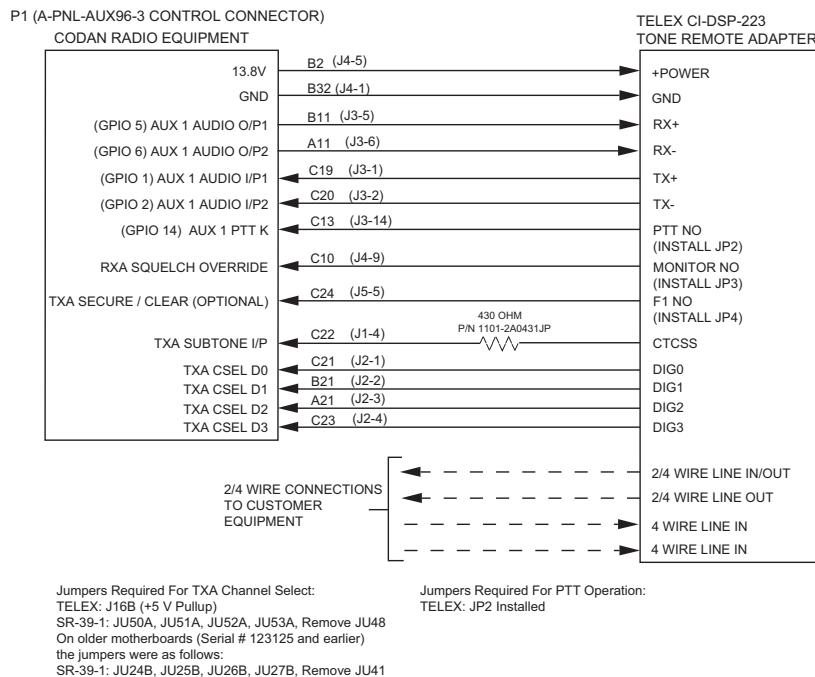


Figure 1: Codan Radio System to Telex DSP-223 connection

43 Erie Street
Victoria, B.C.
Canada V8V 1P8

Toll Free Canada & U.S.A.
Phone: 1-800-664-4066
Fax: 1-877-750-0004

International
Phone: 250-382-8268
Fax: 250-382-6139

Internet
Email: LMRsales@codanradio.com
Web: www.codanradio.com

TN855 CI-DSP-223 Telex (Vega) DSP Tone-Remote Adapter

Telex DSP Programming:

The Telex DSP-223 is typically factory programmed for the customers requirements, however, reprogramming of the Telex can be done with the Telex software contained on the CD that comes with the radio system. Ensure that the embedded firmware of the Telex is the same version as the software. To determine the embedded firmware version, turn the Telex on and the words DSP-223 will scroll across the display, then the firmware version will appear. Connect the PC to the Telex programming port on the front panel of the Telex tone remote adapter using the cable supplied with the Telex. New software and firmware for the Telex can be downloaded from www.telex.com.

The software shown in Figure 2 is version 2.8 and is programmed for channels 1 through 9 with CTCSS tones of 100.0 Hz on channel 1, 203.5 Hz on channel 2 and no CTCSS on channels 3 through 9. Codan radio systems do not require the "Set Gains" or "TX Filters" sections to be accessed on the Telex DSP-223 software. The CTCSS tone is shown as always on, to allowing CTCSS to be transmitted when testing, using the microphone on the front panel of the transmitter module. On Codan MT-4R and MT-4D P25 radio systems, the CTCSS to Subtone connection is not connected and CTCSS tones are generated internally in the transmitter.

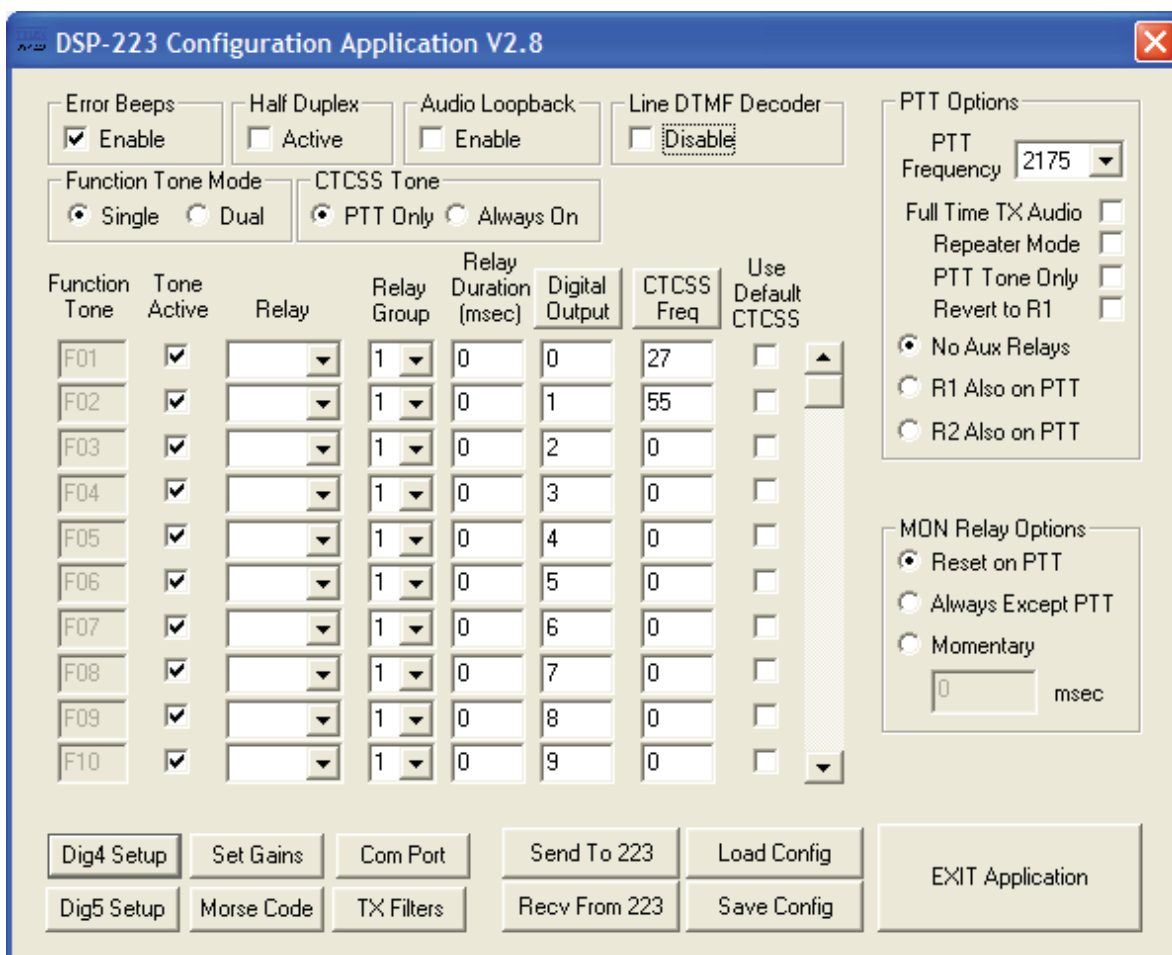
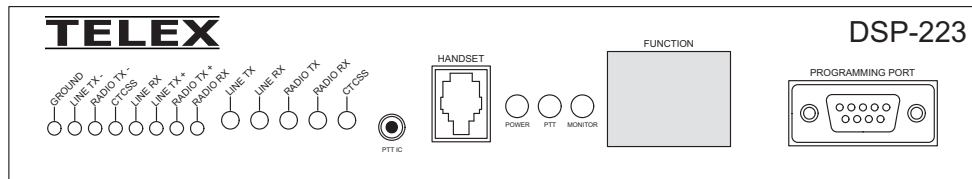


Figure 2: Telex DSP-223 Programming Software

TN855 CI-DSP-223 Telex (Vega) DSP Tone-Remote Adapter



Telex DSP Alignment / Tuning Procedures:

Initial Setup

Step 1 - Program the Telex using the Telex programming software and ensure all jumpers are correctly installed.

AC-3E Audio Control Card and CI-BC-4E Base Control Card Tuning

Step 2 - Disconnect the Telex tone remote from the Codan radio system.

Step 3 - Apply a 1.0 KHz tone @ 0 dBm (775 mV) to the GPIO 1 (Aux 1 I/P 1) and GPIO 2 (Aux 1 I/P 2) balanced auxiliary audio input on the Codan radio system.

Step 4 - Adjust R120 (Aux In 1 to TXA) for a transmitter deviation of ± 3 KHz (WB), ± 1.5 KHz (NB).

Step 5 - Inject a 1.0 KHz tone @ a deviation of ± 3 KHz (WB), ± 1.5 KHz (NB) into Receiver A.

Step 6 - Adjust R13 (RXA to Aux Out 1) for an audio level of 0 dBm (775 mV @ 600 ohms) across GPIO 5 (Aux 1 O/P 1) and GPIO 6 (Aux 1 O/P 2) on the Codan radio system. **Note:** MT-4R and MT-4D P25 Receiver modules have a higher audio level output when receiving a digital signal (as opposed to analog). When using these receiver modules in digital mode, adjust R13 for an audio level of -8.0 dBm (308 mV @ 600 ohms).

Step 7 - Connect the Telex tone remote to the Codan radio system.

Telex Line and Radio Level Tuning

Step 8 - Using an appropriate test set (Telex C-2002), apply a 1.0 KHz tone @ 0 dBm into the tone remote.

Step 9 - On the front panel of the Telex, monitor the receive line level (AC Voltmeter across LINE RX and GROUND) and adjust the LINE RX pot for 500 mV. This level can vary with the cable length between the console and the remote.

Step 10 - Using an appropriate test set (Telex C-2002), apply a 1.0 KHz tone @ 0 dBm into the tone remote.

Step 11 - On the front panel of the Telex, monitor the transmit radio level (AC Voltmeter across RADIO TX+ and RADIO TX-) and adjust the RADIO TX pot for 0 dBm (775 mV) or a transmitter deviation of ± 3 KHz (WB), ± 1.5 KHz (NB).

Step 12 - Inject a 1.0 KHz tone @ a deviation of ± 3 KHz (WB), ± 1.5 KHz (NB) into Receiver A.

Step 13 - On the front panel of the Telex, monitor the receive radio level (AC Voltmeter across RADIO RX and GROUND) and adjust the RADIO RX pot for 0 dBm (775 mV). Note: When adjusting R13 in Step 6 for an audio level of -8.0 dBm (308 mV), adjust the RADIO RX pot for -8.0 dBm (308 mV).

Step 14 - Inject a 1.0 KHz tone @ a deviation of ± 3 KHz (WB), ± 1.5 KHz (NB) into Receiver A.

Step 15 - On the front panel of the Telex, monitor the transmit line level (AC Voltmeter across LINE TX+ and LINE TX-) and adjust the LINE TX pot for 0 dBm (775 mV). This level can vary with the cable length between the console and the remote.

Step 16 - Set the Communications analyzer to monitor the deviation level of the transmitter CTCSS encode tone (enable 300 Hz Lowpass filter).

Step 17 - Key the Telex test set with a CTCSS tone programmed and adjust the CTCSS pot on the front panel of the Telex for a transmitter deviation of ± 500 Hz (WB), ± 350 Hz (NB).

TN856 CI-IP-223 Telex (Vega) IP Network Remote Adapter

The Telex IP-223 IP Network remote adapter provides a reliable means of remotely controlling up to two Codan base stations. The adapter can be used in conjunction with Telex model C-6200, C-Soft, IP-1616, IP-2002 consoles. The IP-223 is interconnected to the distant remote control console(s) by means of any available Wide Area Network (WAN) or Local Area Network (LAN) connection.

The Telex CI-IP-223 is capable of operating in several distinct modes:

Local: The radio is connected to the CI-IP-223 directly using a similar connection pin-out as the CI-DSP-223 and is controlled by Telex VoIP consoles. This mode supports direct serial control of several radio models.

Tone: The CI-IP-223 decodes Ethernet traffic from Telex VoIP consoles and encodes industry standard tones for control of existing tone remote adapters. This allows a migration path to VoIP communications and keeps legacy equipment.

Console: The CI-IP-223 decodes industry standard tones from existing legacy consoles and converts it to Ethernet traffic to another CI-IP-223 that regenerates the industry standard tones for control of existing tone remote adapters.

Phone: Using the PIB223, a line on the CI-IP-223 is used to connect to a standard PSTN phone service.

Smart Repeater: In this mode, the CI-IP-223 can be made to link two repeaters together. The CI-IP-223's are effectively back-to-back on the network.

The Telex IP-223 Network remote adapter provides the following features:

- 2X16 LCD backlit Display
- PTT, Monitor and Power LED indications
- PTT, Monitor, F1 and F2 Relays (programmable to any function tone or Revert to F1)
- Two PTT modes and three monitor modes
- Eight selectable PTT frequencies
- Seven digital outputs for channel selection, completely programmable per function tone
- CTCSS generation (64 frequencies)
- Hardware and software gain control
- Local handset port for monitoring activity and transmission back to base or to radio
- Front panel test points and level set potentiometers
- RS-232C port on rear for initial configuration and direct radio control
- Single function tone recognition (16 function tones)
- Automatic Gain Control
- Function tone lock-out
- RX Audio Squelch
- Crosspatch capability
- ANI Over the Air - Decode and Display

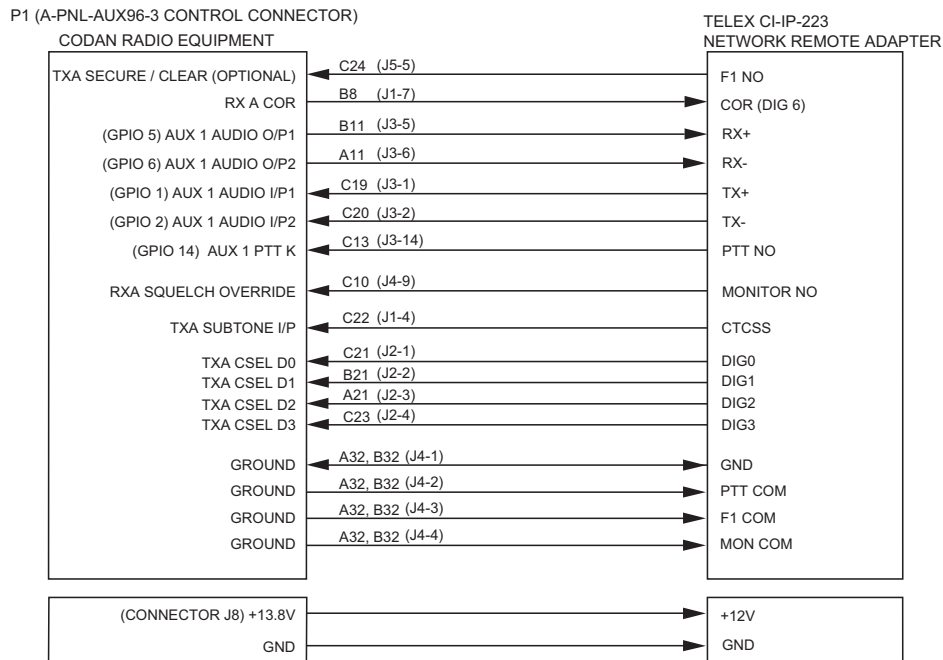
TN856 CI-IP-223 Telex (Vega) IP Network Remote Adapter

DB-25 Connector Table (Color coding for Codan Interconnect cables):

1	YEL/GRN (PTT NC)	10	RED/BLU (DIG4)	18	WHT/GRY (F2 NC)
2	YEL/BRN (PTT COM)	11	VIO/GRN (CTCSS)	19	WHT/ORG (F2 COM)
3	YEL/GRY (MON NO)	12	VIO/BRN (RX-)	20	WHT/BLU (DIG6/COR)
4	YEL/ORG (F1 NC)	13	VIO/GRY (TX-)	21	BLK/GRN (DIG1)
5	YEL/BLU (F1 COM)	14	VIO/ORG (PTT NO)	22	BLK/BRN (DIG3)
6	RED/GRN (F2 NO)	15	VIO/BLU (MON NC)	23	BLK/GRY (DIG5)
7	RED/BRN (GND)	16	WHT/GRN (MON COM)	24	BLK/ORG (RX+)
8	RED/GRY (DIG0)	17	WHT/BRN (F1 NO)	25	BLK/BLU (TX+)
9	RED/ORG (DIG2)				

Installation:

A female DB25 connector on the back of the subrack (J10) can be used for basic base connections to a Telex IP-223, using a standard straight-through male-to-male DB25 cable (**WARNING: JU108 must be configured correctly or damage can occur. JU108 B for Rx A COR / IP-223**). The IP-223 also requires that 2 pins on the DB25 (PTT COM - pin2 and MON COM - pin 16) are wired to ground for proper operation. The A-PNL-AUX96-3 auxiliary connector can also be used to connect to the Telex board to a Codan Base Station with an AC-3E or CI-BC-4E, as shown in Figure 1. Ensure jumpers JU67A (or JU67X for CI-BC-4E) and JU68 are installed on the AC-3E and CI-BC-4E. On Codan MT-4R and MT-4D P25 radio systems, the CTCSS to Subtone connection is not connected.



Jumpers Required For TXA Channel Select:
TELEX: J8A (+5 V Pullup)
SR-39-1: JU50A, JU51A, JU52A, JU53A, Remove JU48
On older motherboards (Serial # 123125 and earlier)
the jumpers were as follows:
SR-39-1: JU24B, JU25B, JU26B, JU27B, Remove JU41

Figure 1: Codan Radio System to Telex IP-223 connection

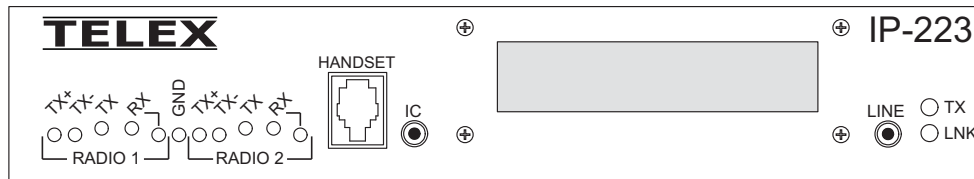
43 Erie Street
Victoria, B.C.
Canada V8V 1P8

Toll Free Canada & U.S.A.
Phone: 1-800-664-4066
Fax: 1-877-750-0004

International
Phone: 250-382-8268
Fax: 250-382-6139

Internet
Email: LMRsales@codanradio.com
Web: www.codanradio.com

TN856 CI-IP-223 Telex (Vega) IP Network Remote Adapter



Telex IP Alignment / Tuning Procedures:

Initial Setup

Step 1 - Program the Telex using the Telex programming software and ensure all jumpers are correctly installed.

AC-3E Audio Control Card and CI-BC-4E Base Control Card Tuning

Step 2 - Disconnect the Telex from the Codan radio system.

Step 3 - Apply a 1.0 KHz tone @ 0 dBm (775 mV) to the GPIO 1 (Aux1 I/P 1) and GPIO 2 (Aux1 I/P 2) balanced auxiliary audio input on the Codan radio system.

Step 4 - Adjust R120 (Aux In 1 to TXA) for a transmitter deviation of ± 3 KHz (WB), ± 1.5 KHz (NB).

Step 5 - Inject a 1.0 KHz tone @ a deviation of ± 3 KHz (WB), ± 1.5 KHz (NB) into Receiver A.

Step 6 - Adjust R13 (RXA to Aux Out 1) for an audio level of 0 dBm (775 mV @ 600 ohms) across GPIO 5 (Aux 1 O/P 1) and GPIO 6 (Aux 1 O/P 2) on the Codan radio system. **Note:** MT-4R and MT-4D P25 Receiver modules have a higher audio level output when receiving a digital signal (as opposed to analog). When using these receiver modules in digital mode, adjust R13 for an audio level of -8.0 dBm (308 mV @ 600 ohms).

Step 7 - Connect the Telex to the Codan radio system.

Vega Line and Radio Level Tuning

Step 8 - Press and hold the LINE button on the front of the Telex and triple click the IC button so that "VU1 -50db / VU2 -50db" is displayed on the LCD display.

Step 9 - Inject a 1.0 KHz tone @ a deviation of ± 3 KHz (WB), ± 1.5 KHz (NB) into Receiver A.

Step 10 - Adjust the RX pot until VU1 reads 0.0 db.

Step 11 - Press and hold the LINE button on the front of the Telex and click the IC button to return to normal operation.

Step 12 - Press and hold the LINE button on the front of the Telex and double click the IC button so that "Tx Align" is displayed on the LCD display.

Step 13 - Key the Codan transmitter and adjust the TX pot for a transmitter deviation of ± 3 KHz (WB), ± 1.5 KHz (NB).

Step 14 - Press and hold the LINE button on the front of the Telex and double click the IC button to return to normal operation.

Step 15 - Set the Communications analyzer to monitor the deviation level of the transmitter CTCSS encode tone (enable 300 Hz Lowpass filter).

Step 16 - Key the Telex test set with a CTCSS tone programmed and adjust the CTCSS LINE 1 pot on the top of the Telex for a transmitter deviation of ± 500 Hz (WB), ± 350 Hz (NB).

TN856 CI-IP-223 Telex (Vega) IP Network Remote Adapter

This Page Intentionally Left Blank

TN870 CI-RSWITCH Redundant Switch

The CI-RSWITCH is a low current, high reliability redundant switch capable of operating at extreme temperatures in remote locations. The CI-RSWITCH Redundant Switch Module provides a simple interface between two redundant radio systems composed of Codan receivers, transmitters, amplifiers and controllers.

The Redundant Switch Module allows the Main or Backup radio system to be selected for operation and can be connected to various alarm modules such as the Power Monitors to control the switching function. The Redundant Switch transfers voltage inputs between the Main and Backup systems, and connections to two high quality RF relays are provided to permit the two redundant radio systems to share single antenna systems. The Redundant Switch is 19" rack mounted (1 RU height) and provides DC power to the selected Main and Backup repeater systems.

The Redundant Switch provides the following features:

- average current draw of 19 mA .
- RF relay switching current of 200 mA for 15 ms maximum.
- input current distribution of up to 40 Amps.
- six active low momentary Alarm inputs.
- two active low momentary Reset inputs.
- one active low Backup Test enable input for testing / tuning purposes.
- two open collector Alarm outputs. Alarm 1 will short to ground to indicate Main operation and Alarm 2 will short to ground on Backup operation.

RF Relays, Backup Test switch, Main / Backup Indicator LEDs and the System Reset switch are all located on the front panel of the Redundant Switch as shown in Figure 1.

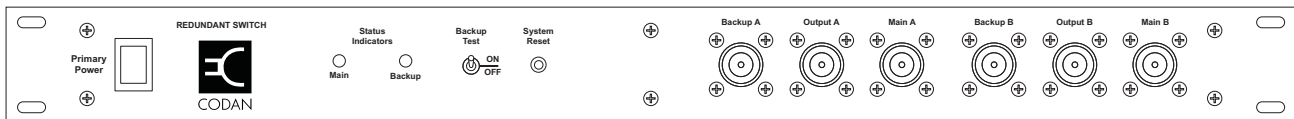


Figure 1: Redundant Switch Front Panel

Power connections, alarm inputs, reset inputs, backup test input and alarm outputs are all located on the back panel of the Redundant Switch as shown in Figure 2.



Figure 2: Redundant Switch Rear Panel

TN870 CI-RSWITCH Redundant Switch

This Page Intentionally Left Blank

EN100 Quality Management System

Codan Radio Communications (Victoria, BC, Canada) is very proud that our Quality Management System has been registered to the ISO international quality standard since October 1993. Our Quality Management System is currently registered to the expanded ISO 9001:2008 standard, and is part of our commitment to provide high quality products and services to our customers.

Why does Codan use a Quality Management System?

Codan Radio Communications is committed to maintaining and improving its Quality Management System:

for the benefit of the company, to:

- * develop and manufacture reliable, specialized radio communications equipment
- * attain and consistently maintain the desired quality at optimum cost
- * plan and efficiently utilize technological, human and material resources available to the company, to maximize the quality of our products and service
- * comply with any customer requirements or expectations that their suppliers have an ISO-registered Quality Management System

for the benefit of the customer, to:

- * instill confidence in our ability to deliver the desired quality of product and service
- * reliably maintain the desired level of quality and performance

What are the principles of a Quality Management System?

The ISO9001:2008 international quality standard is based on eight (8) quality management principles:

- * Customer focus
- * Leadership
- * Involvement of people
- * Process approach
- * System approach to management
- * Continual improvement
- * Factual approach to decision making
- * Mutually beneficial supplier relationships

By adopting these principles within its Quality Management System, management can lead their organization towards improved performance, products, services and customer satisfaction.

43 Erie Street
Victoria, B.C.
Canada V8V 1P8

Toll Free Canada & U.S.A.
Phone: 1-800-664-4066
Fax: 1-877-750-0004

International
Phone: 250-382-8268
Fax: 250-382-6139

Internet
Email: LMRsales@codanradio.com
Web: www.codanradio.com

EN100 Quality Management System

What is a process approach?

The “process approach” refers to the definition, implementation and management of interrelating and interacting activities. Each process is defined by its inputs, activities, decision points and outputs, to ensure adequate control and consistency of performance. Each process has associated resource, communication and record requirements. The advantage of the process approach is the control it provides over the links and interactions between related processes (e.g., the selling and manufacturing of radio systems).

What is the Codan Quality Management System?

The Codan Quality Management System defines processes for the design, development, marketing, sales, manufacture, testing, configuring and servicing of radio equipment. It also includes supporting processes for resource management, document and record control, measurement and analysis of data, nonconformance correction, corrective and preventive actions, internal quality audits, quality management review, and a commitment to continual improvement.

What does it all mean to our customer?

Our customers require highly reliable radio products with specifications and performance that will meet or exceed their expectations. The Codan Quality Management System allows us to analyze customer requirements, define the best process to meet those requirements, and keep those processes under control. It also provides a framework for continual improvement of our products and services, with a goal to improving customer satisfaction. Codan is committed to continually expanding and improving our product line to meet the needs of our customers.

Through our Quality Management System, we are better able to provide the high quality products and services our customers have come to expect.

EN110 Equipment Calibration and Reference

As a high quality radio communications manufacturer, Codan Radio Communications uses a wide variety of electronic and mechanical test equipment in the production, design, service and support of our radio communications systems.

Codan test equipment is calibrated annually or semi-annually to ensure it is operating at a proper performance level and is capable of the high reliability and high performance required by the customer. Codan Radio Communications files calibration and maintenance records of all test equipment used in our factory and continuously updates these records to reliably control and record calibration of all equipment.

Codan Radio Communications calibrates all:

Communications Analyzers and Test Sets	Multimeters
Frequency Counters	Signal Generators
Spectrum Analyzers	SINAD meters
Power Supplies	Wattmeters
Torque Wrenches	Soldering Stations
Digital and Vernier Calipers	Environmental Chambers
Oscilloscopes	ESD Equipment
Temperature Probes and Sensors	Internal Test Jigs

and all other equipment used in the design and manufacture of Codan radio equipment.

The accuracy of Codan equipment has been determined by comparison to Standards which are directly traceable to the Canadian Institute for National Measurement Standards (NRC-INMS) or the US National Institute of Standards and Technology (NIST).

Codan uses two Spectracom model 8194 oven stabilized frequency references to provide a highly accurate frequency reference for the purpose of phase locking the internal oscillators of radio production test equipment factory wide. The outputs of the Spectracom frequency references are locked to the United States Naval Observatory via the NAVSTAR Global Positioning System (GPS).

43 Erie Street
Victoria, B.C.
Canada V8V 1P8

Toll Free Canada & U.S.A.
Phone: 1-800-664-4066
Fax: 1-877-750-0004

International
Phone: 250-382-8268
Fax: 250-382-6139

Internet
Email: LMRsales@codanradio.com
Web: www.codanradio.com

EN110 Equipment Calibration and Reference

This Page Intentionally Left Blank

43 Erie Street
Victoria, B.C.
Canada V8V 1P8

Toll Free Canada & U.S.A.
Phone: 1-800-664-4066
Fax: 1-877-750-0004

International
Phone: 250-382-8268
Fax: 250-382-6139

Internet
Email: LMRsales@codanradio.com
Web: www.codanradio.com

EN120 Equipment Soldering and ESD Procedures

Soldering

Codan Radio Communications follows industry guidelines for electronic assembly manufacture and trains all employees engaged in hand soldering, inspection and testing, rework and repair of our product line to meet the requirements of Codan acceptable manufacturing procedures.

Codan Radio Communications requires all printed circuit assemblies manufactured or sold by Codan to meet IPC-A-610, Class 2 (Acceptability for Electronic Assemblies) acceptance criteria. IPC (Association Connecting Electronics Industries) standards and publications have been developed by representatives of the electronics manufacturing industry and are designed to serve the public interest through eliminating misunderstandings between manufacturers and customers. IPC-A-610, Class 2 (Dedicated Service Electronic Components) includes communications equipment where high performance and extended life is required and for which uninterrupted service is desired.

By training our employees to meet these high quality soldering, ESD, and general workmanship standards, Codan ensures product reliability, eliminates the causes of defective soldering joints, and minimizes our production and servicing costs.

Certification in Codan hand soldering and rework program is required by all employees engaged in those aspects of product manufacture. Individual workmanship is reviewed on an ongoing basis, and re-certification may be required at any time. This soldering course is approximately one week in length and requires exceptional performance from the trainees to pass.

ESD

Static Electricity can damage electronic equipment, causing it to stop functioning immediately, or degrading it, leading to breakdown later. Codan Radio Communications policy requires that all employees use ESD safe practices when handling electronic components, and all employees attend ESD training of the acceptable procedures for handling of products in various stages of assembly at Codan.

Static sensitive parts are handled in ESD safe areas by employees grounded with wrist and/or two heel straps and employees working at workstations wear grounded wrist straps at all times. Codan also requires that all production/design and development personnel test their wrist straps and/or heel/foot straps at the start of every workday.

All ESD safe areas within the company use ESD safe workstations and static dissipative flooring. All workstations in the factory have a dissipative hard laminate surface and a common point ground where all conductive components of the workstation are connected. ESD hazards such as plastic cups, pens, bags, and other similar static generating items are kept well away from static sensitive devices. Transferring of ESD sensitive components to or from different areas of the company is conducted in ESD safe bags, tote boxes or carts.

43 Erie Street
Victoria, B.C.
Canada V8V 1P8

Toll Free Canada & U.S.A.
Phone: 1-800-664-4066
Fax: 1-877-750-0004

International
Phone: 250-382-8268
Fax: 250-382-6139

Internet
Email: LMRsales@codanradio.com
Web: www.codanradio.com

EN120 Equipment Soldering and ESD Procedures

This Page Intentionally Left Blank

43 Erie Street
Victoria, B.C.
Canada V8V 1P8

Toll Free Canada & U.S.A.
Phone: 1-800-664-4066
Fax: 1-877-750-0004

International
Phone: 250-382-8268
Fax: 250-382-6139

Internet
Email: LMRsales@codanradio.com
Web: www.codanradio.com

EN130 Atacama Large Millimeter Array (ALMA)

What is ALMA?

The Atacama Large Millimeter Array (ALMA) will be one of astronomy's most powerful telescopes, providing unprecedented imaging capabilities and sensitivity many orders of magnitude greater than anything of its kind today.

ALMA will be an array of 66 radio antennas that will work together as one telescope to study millimetre- and submillimetre-wavelength electromagnetic waves from space. These wavelengths, which cross the critical boundary between infrared and microwave radiation, hold the key to understanding such processes as planet and star formation, the formation of early galaxies and galaxy clusters, and the formation of organic and other molecules in space.

A specialized computer, called a correlator – running at 16,000 million-million operations per second – will combine all of the data from the 66 antennas to make images of remarkable quality. The configuration of the 66 antennas will be variable, providing a sort of zoom capability. In its largest configuration, the image detail provided by the array will be comparable to that which a single radio telescope 14 km in diameter would provide.

Since atmospheric water vapour absorbs millimetre waves, ALMA will need to be constructed in a very dry area, preferably at a very high altitude. Extensive tests showed that the sky above the Atacama Desert of Chile has the unsurpassed clarity and stability essential for ALMA. That is why ALMA will be built in the Chilean Andes at 5,000 metres (16,500 feet) elevation.



View south from Cerro Chajnantor, Chile, of ALMA site.
Image courtesy of NRAO/AUI



An international partnership between North America and Europe funds and operates ALMA. The National Research Council of Canada has joined with the U.S. National Radio Astronomy Observatory to form the North American partnership, which is the largest ground-based astronomy endeavour ever undertaken.

43 Erie Street
Victoria, B.C.
Canada V8V 1P8

Toll Free Canada & U.S.A.
Phone: 1-800-664-4066
Fax: 1-877-750-0004

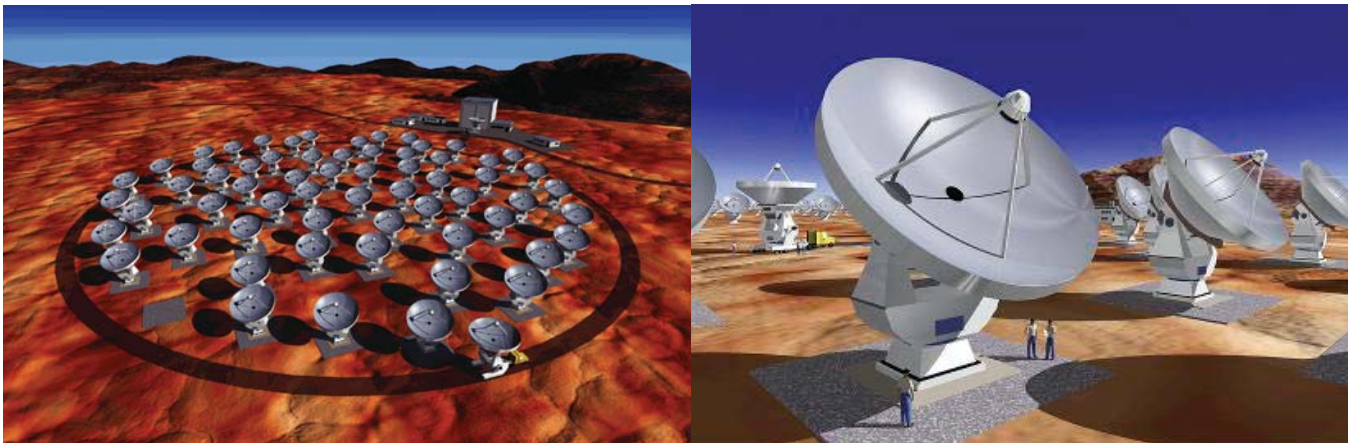
International
Phone: 250-382-8268
Fax: 250-382-6139

Internet
Email: LMRsales@codanradio.com
Web: www.codanradio.com

EN130 Atacama Large Millimeter Array (ALMA)

ALMA's ability to detect remarkably faint millimetre emission and to create highly detailed images of the sources of that emission, will give it capabilities not found in any other astronomical instrument. ALMA will therefore be able to observe phenomena previously out of reach to astronomers and astrophysicists. These capabilities include studying:

- The formation of galaxies (eg. the Milky Way) at the earliest times in cosmic history
- New planets forming around young stars in our galaxy
- The birth of new stars in spinning clouds of gas and dust
- The evolutionary stages of aging stars as they shed their outer atmospheres on the way to becoming white dwarfs
- Interstellar clouds of gas and dust that are chemical factories forming complex molecules and organic chemicals related to the building blocks of life.



*Artist's conception of the antennas and compact array for the Atacama Large Millimeter Array
Image courtesy of NRAO/AUI and ESO*

Codan and ALMA

The millimetre instrumentation laboratory of the National Research Council of Canada's Herzberg Institute of Astrophysics in Victoria, BC, is one of the few facilities in the world with expertise in superconducting detector technology for millimetre waves. This technology employs tiny switches about 50 times smaller than the width of a human hair, operating at liquid helium temperatures of $-269\text{ }^{\circ}\text{C}$ (just a few degrees above absolute zero, $-273\text{ }^{\circ}\text{C}$) to detect and amplify the incredibly faint whispers of radiation that reach earth from the remotest parts of the cosmos. The physics of very cold temperatures implies that random noise in electronics circuits virtually disappears. This means that the receiver can detect very faint signals without interference.

Canada will supply 73 receivers (1 for each antenna and 7 spares) of unprecedented sensitivity for the 3-millimetre wavelength band - the ALMA Band 3 Receivers. Codan was contracted by the National Research Council of Canada's Herzberg Institute of Astrophysics to build portions of the 84 - 116 GHz ALMA Band 3 Receivers and completed the contract on March 31, 2011. Codan built a clean room that meets requirements for ISO Class 7 standards and MIL-STD-1686 static control standards.



Complete Receiver Assembly

43 Erie Street
Victoria, B.C.
Canada V8V 1P8

Toll Free Canada & U.S.A.
Phone: 1-800-664-4066
Fax: 1-877-750-0004

International
Phone: 250-382-8268
Fax: 250-382-6139

Internet
Email: LMRsales@codanradio.com
Web: www.codanradio.com

EN140 Restriction of Hazardous Substances (RoHS)

RoHS Directive

In order to expand sales into the European market, Codan Radio Communications is currently implementing the RoHS directive for some key products. The Restriction of Hazardous Substances (RoHS) directive—also known by its legislation number, Directive 2002/95/EC—is an important piece of European Legislation that must be complied with in order to sell electronic equipment in the European Union (EU).

The RoHS directive took effect in EU member states in July of 2006 and restricts use of the following substances to a specific maximum concentration value :

LEAD (0.1%) – Solder, brass alloys, and in electronic component lead plating

MERCURY (0.1%) – found in sensitive switches, thermostats

CADMIUM (0.01%) – used in some plastics, PVC, as well as some pigments

HEXAVALENT CHROMIUM (0.1%) – most commonly found in metal finishes

POLYBROMINATED BIPHENYLS or PBB (0.1%) – flame retardants

POLYBROMINATED DIPHENYL ETHERS or PBDE (0.1%) – flame retardants

These maximum concentration values are determined by a percentage of the weight of a “homogenous material”. Homogenous material is defined by the directive as “a material that cannot be mechanically disjointed into different material.” This includes anything that is of a uniform composition like a metallic alloy, plastics, resins and coatings. Every mechanically separate item inside a product must comply separately to the RoHS directive .

Codan and RoHS

All products, accessories and other items sold by Codan in the European market (including product, storage racks, containers, hardware and labels) will comply with the RoHS directive.

Codan is in the process of moving the manufacturing of all printed circuit boards (PCBs) to lead-free solder and ensuring that components of select products are certified as RoHS compliant. Codan PCBs that are RoHS compliant have board numbers beginning with 6- and will also bear the following RoHS logo if room on the board is available.



As future products are released, they will clearly show the RoHS logo to indicate that the entire unit is 100% RoHS compliant.

The primary difference between the solder connections created with lead-free solder and tin-lead solder is the visual appearance of the solder. Lead-free solder is more likely to have a grainy or dull appearance as opposed to tin-lead solder which has a generally smooth appearance.

43 Erie Street
Victoria, B.C.
Canada V8V 1P8

Toll Free Canada & U.S.A.
Phone: 1-800-664-4066
Fax: 1-877-750-0004

International
Phone: 250-382-8268
Fax: 250-382-6139

Internet
Email: LMRsales@codanradio.com
Web: www.codanradio.com

EN140 Restriction of Hazardous Substances (RoHS)

This Page Intentionally Left Blank

43 Erie Street
Victoria, B.C.
Canada V8V 1P8

Toll Free Canada & U.S.A.
Phone: 1-800-664-4066
Fax: 1-877-750-0004

International
Phone: 250-382-8268
Fax: 250-382-6139

Internet
Email: LMRsales@codanradio.com
Web: www.codanradio.com